

Operating Instructions



ATH-Comfort Lift

Comfort Lift 2.35
Comfort Lift 2.35XL
Comfort Lift 2.40
Comfort Lift 2.40XL

Serial number: C086041109126





Contents


1.0	INTRODUCTION	- 3 -
1.1	General Information.....	- 3 -
1.2	Description.....	- 4 -
1.3	Operation.....	- 7 -
1.4	Technical Data	- 11 -
1.5	Technical Drawing	- 13 -
2.0	INSTALLATION	- 15 -
2.1	Transport & Storage Conditions	- 16 -
2.2	Unpacking the machine.....	- 16 -
2.3	Scope of delivery	- 17 -
	Scope of delivery.....	- 17 -
2.4	Location.....	- 19 -
2.5	Fixing	- 21 -
2.6	Electrical Connection.....	- 21 -
2.7	Pneumatic Connection.....	- 21 -
2.8	Hydraulic Connection	- 22 -
2.9	Assembly	- 22 -
2.10	Completion of Work.....	- 36 -
3	OPERATION	- 37 -
3.3	Operating Instructions	- 37 -
3.4	Basic Information	- 38 -
4	MAINTENANCE.....	- 39 -
4.3	Consumables for installation, maintenance and servicing.....	- 39 -
4.4	Safety Regulations for Oil	- 40 -
4.5	Notes	- 41 -
4.6	Maintenance or Service Plan	- 41 -
4.7	Troubleshooting / Error Display and Solutions	- 42 -
4.8	Maintenance and Service Instructions.....	- 44 -
4.9	Disposal.....	- 45 -
5	EG-/EU-KONFORMITÄTSERKLÄRUNG / EC-/EU-DECLARATION OF CONFORMITY	- 46 -
6	APPENDIX.....	- 47 -
6.1	Pneumatic circuit diagram	- 47 -
6.2	Electric circuit diagram	- 47 -
6.3	Hydraulic circuit diagram	- 51 -
7.	WARRANTY CARD.....	- 52 -
7.1	Scope of the Product Warranty	- 53 -
8.	INSPECTION LOG	- 54 -
8.1	Installation and Handover Log	- 55 -
8.2	Inspection Plan.....	- 56 -
8.3	Visual inspection (authorised expert).....	- 57 -
9.0	NOTES.....	- 63 -

1.0 INTRODUCTION

1.1 General Information

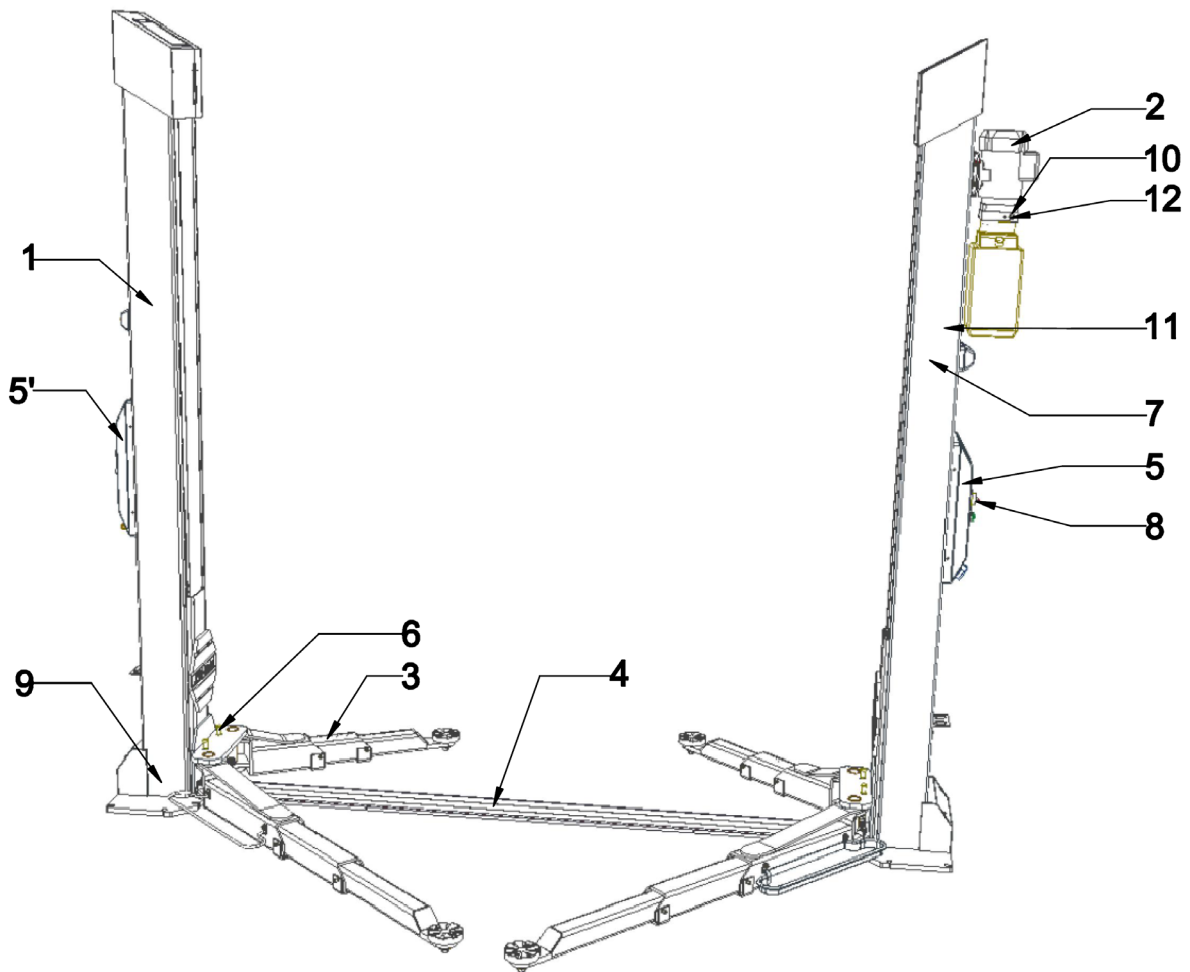
	<p>THESE INSTRUCTIONS ARE AN INTEGRAL PART OF THE MACHINE. THEY MUST BE READ AND UNDERSTOOD BY THE USER. NO LIABILITY IS ASSUMED FOR ANY DAMAGES CAUSED BY FAILURE TO FOLLOW THESE INSTRUCTIONS OR THE VALID SECURITY PROVISIONS.</p>
---	--

	<p>WARNING: Follow the instructions to prevent injury or damage.</p>
	<p>TIP: Provides more information on functionality and tips for using the device efficiently.</p>

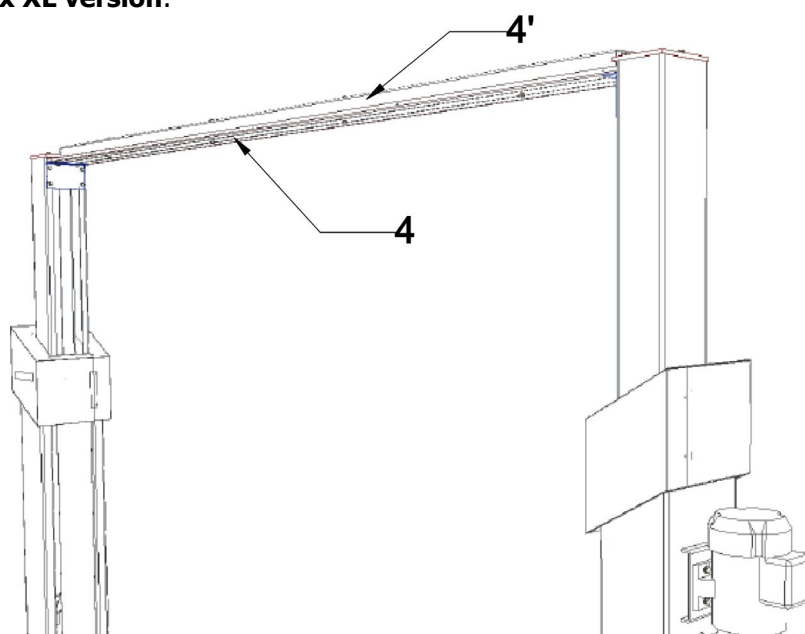
	<p>Appropriate protective clothing must be worn for all work on the described system.</p>
--	---

1.2 Description

ATH-Comfort Lift 2.xx version:



ATH-Comfort Lift 2.xx XL version:



Main components

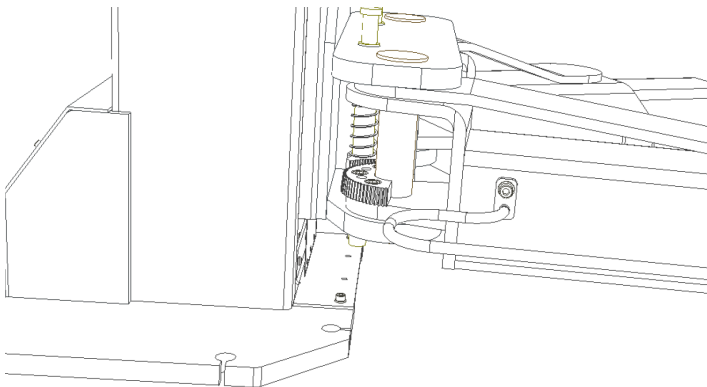
1. Pillars
The inside lifting-carriage is lifted by hydraulic cylinder due a chain to the top.
2. Hydraulic-Aggregate
The hydraulic oil is pumped to the hydraulic cylinders by a gear wheel pump actuated by an electrical motor. Over a lowering valve the hydraulic oil will be returned in the oil tank..
3. Lifting arms
Due the lifting arms the cars could be lifted.

4a. Cross beam ATH-Comfort Lift 2.xx Over driving metallic cover protects the synchronization ropes and the hydraulic hose	4b. Cross beam ATH-Comfort Lift 2.xx XL 4b'. Reinforcing profile for Cross beam
--	--

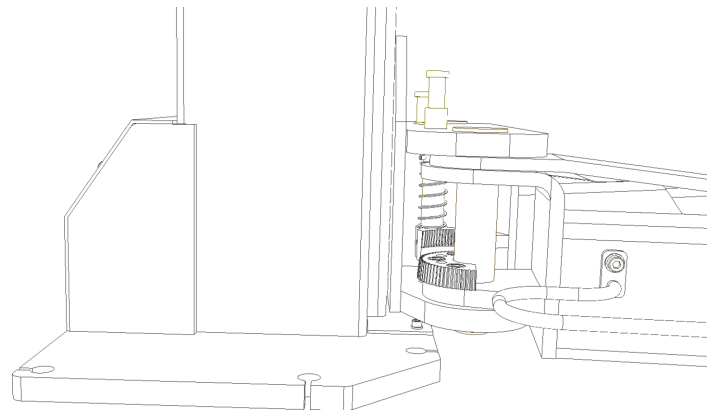
Safety devices

5. Control box from the main column equipped with Deadman's Type Controls
Includes the complete electrical control system. All the push buttons are protected by a front ring and the operator is required to hold the controls in the engaged position to rise or lower the lift in case of releasing operation is immediately interrupted.
- 5'. Control box from the opposite column
6. Automatic Arm Restraint
To prevent swinging motions of arms when vehicle is on lift when the carriage is rising up.

Locked position of the lifting arms:



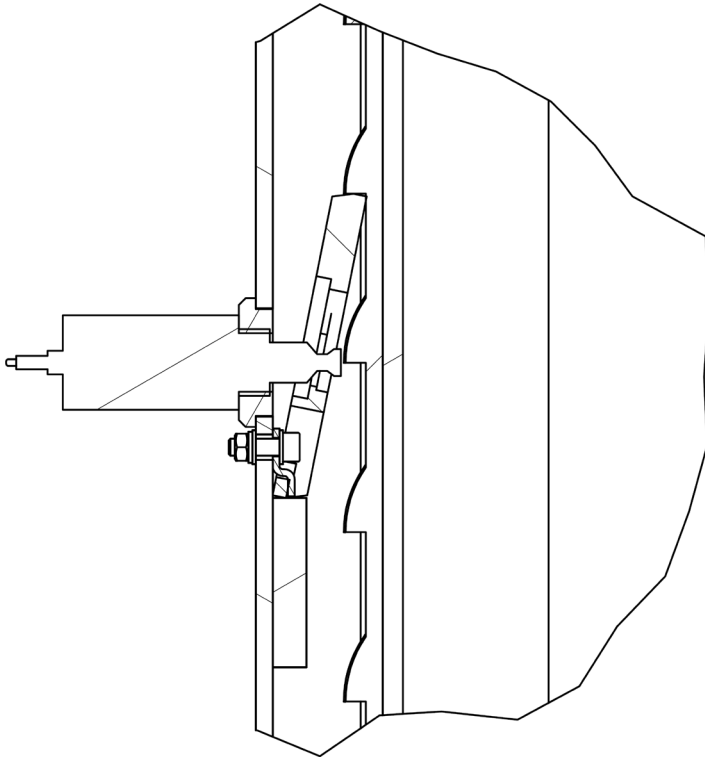
Unlocked position of the lifting arms:



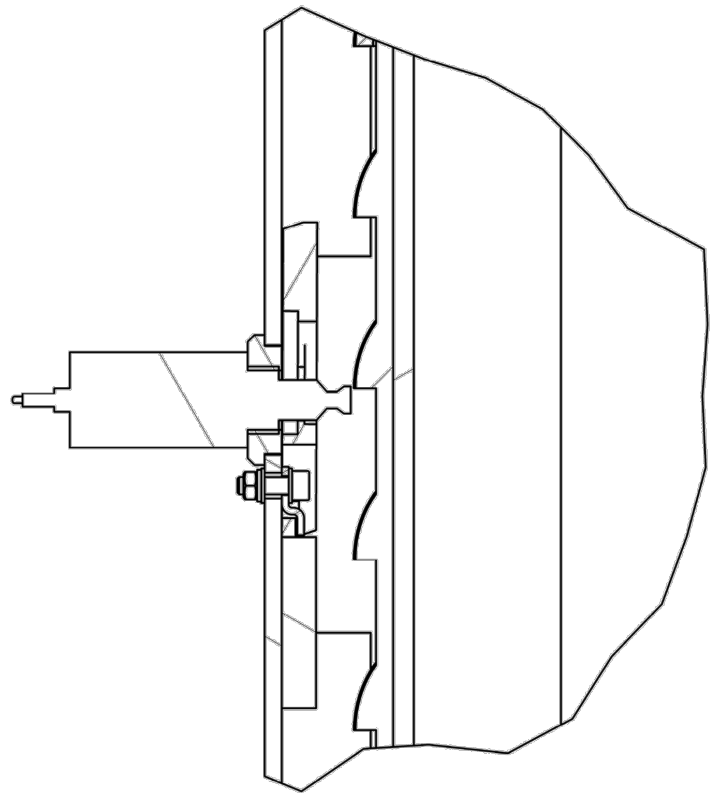
7. Locking safety notch

This safety device prevents by any deficiency a lowering of the carriage by more than 100mm. The electromagnets unlock the device every time, when the lowering and lifting are carried out.

Position by locked (parked) carriage:



Position by unlocked carriage:



8. Main Switch

9. Foot Protection

10. Pressure control valve,
Prevents the exceeding of the payload. Verhindert ein Überschreiten der Traglast.
THIS SETTING MAY NOT BE CHANGED!

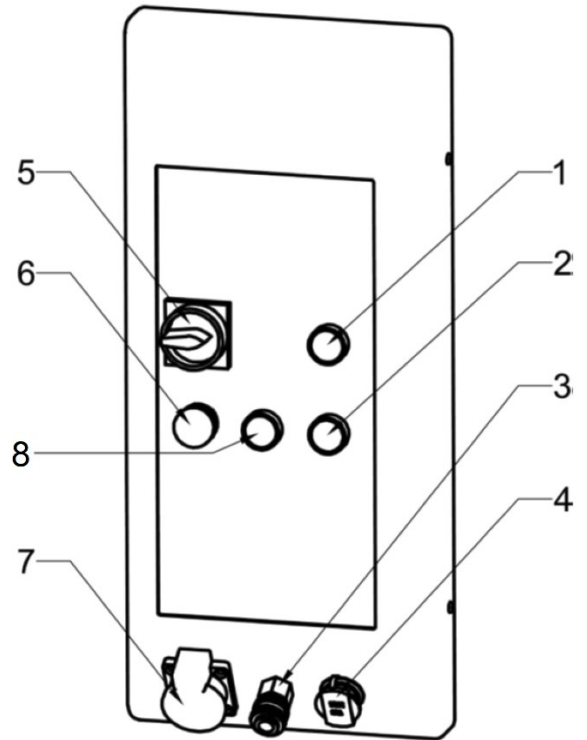
11. Synchronization ropes,
grants a synchronous movement of the both carriages.

12. Emergency descent screw,
makes possible a lowering of the carriages of the lift by defective working.

1.3 Operation

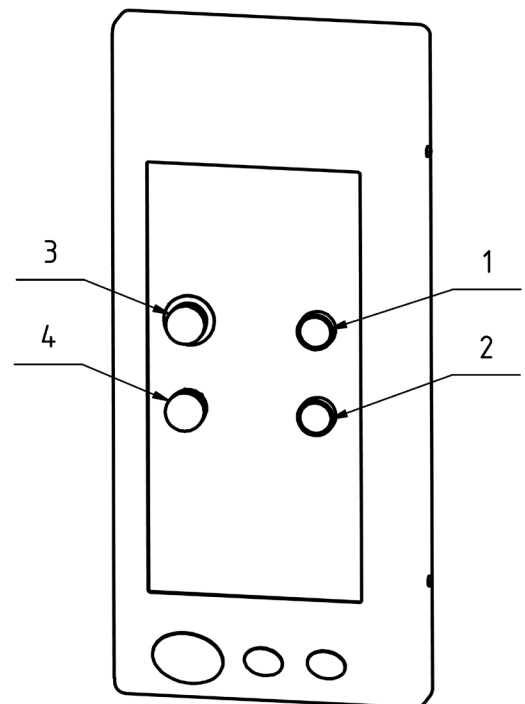
Main column

1. Push button lifting (Up), lifts the carriages
2. Push button lowering (Down), lowers the carriages complete (the safety notch and the lowering valve will be activated)
3. ESKK-Air Socket
4. 12-volt vehicle socket
5. Lockable main switch with emergency stop function, prevents switch on / off of the power of the lift from any unauthorized persons
6. Signal lamp, indicates whether that the lift is in stand-by.
7. Socket Outlet 1 X 230V
8. Push button parking (Lock up), parks (locks) the carriage (just the lowering valve will be activated)



Opposite column

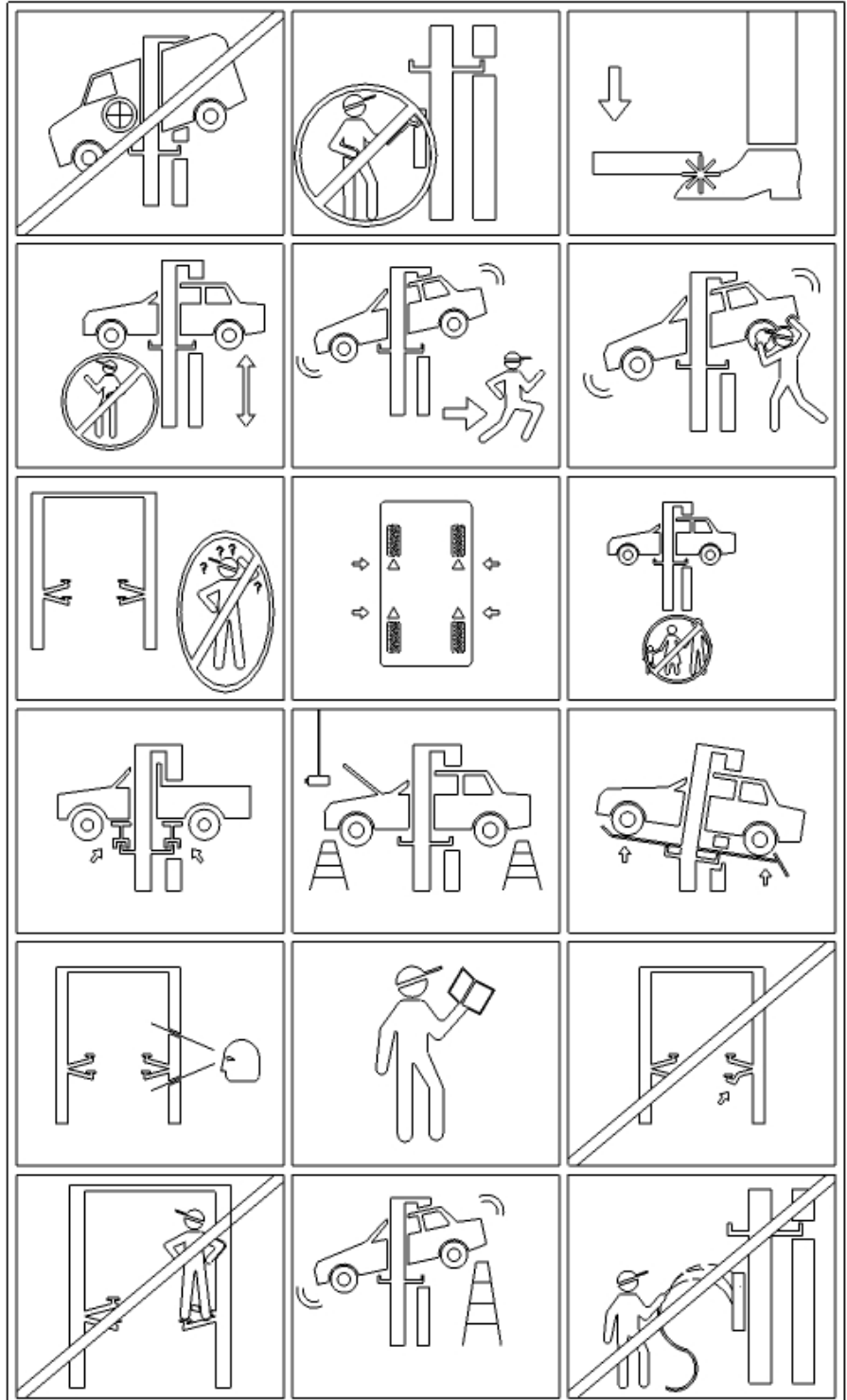
1. Push button lifting (Up), lifts the carriages
2. Push button lowering (Down), lowers the carriages complete
3. EMERGENCY STOP Switch to switch off the lift in case of emergency
4. Signal lamp, indicates whether that the lift is in stand-by.



OPERATION

Warning symbols

1. Check the correct load capacity and load distribution of vehicles.
2. Do not override the self-closing lifts control
3. Keep feet clear of lift while lowering.
4. Keep free the area by lifting or lowering of the vehicles.
5. Clear area if vehicle is in danger of falling.
6. Avoid excessive raking of the vehicle while on the lift.
7. The lift have to be used by trained operator only.
8. Use vehicle manufacturer's lifting points and close the doors before lifting of the vehicle
9. Allow no unauthorized persons in the working area.
10. Use height extenders when necessary to ensure a good contact.
11. Always use safety stands when removing or installing heavy components.
12. Auxiliary adapters may reduce load capacity.
13. Proper maintenance and inspection is necessary for safe operation.
14. Read operating and safety manuals before using the lift
15. Do no operate with a damaged lift
16. On the lift, lifting arms inside of the lifted vehicles any objects or people have not to be carried.
17. Before lowering the lift check that there are not obstructions under the vehicle or the lifting arms.
18. Lift must not be cleaned under running water

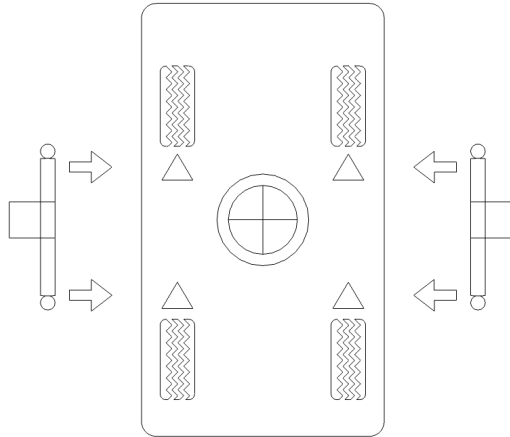


This product is designed for lifting vehicles. The relevant technical specifications of the lift have to be considered.

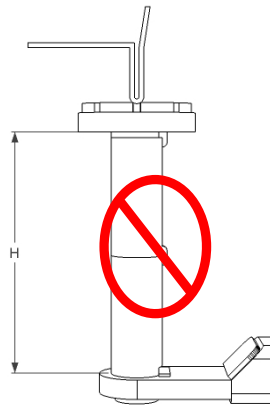
1. Preparation



- b. Lower the lift completely until the arm restraints device is deactivated.
- c. Place the lifting arms parallel to the drive direction.
- d. Drive the vehicle between the columns, paying attention by the load distribution.



- e. Adjust swing arms so that the vehicle is positioned with the center of gravity midway between pads. Adjust by turning up the height of the lifting pads until they will reach the manufacture indicated lifting points, if necessary use the needed lifting adaptors.



2. Lifting the vehicle

- a. Switch on the main switch of the lift
- b. Raise the vehicle by pressing of the push button „UP“ until the vehicle is lifts of on a height of 100-150mm.
- c. Recheck to make sure the vehicle is secure and all locking pins are lock in place.
- d. Always ensure safeties are engaged before any attempt is made to work on or near vehicle.

3. Parking the vehicle
 - a. Up to a lifting height of 500mm automatically intervenes the safety notches.
 - b. Pressing the push button „LOCK UP“ for few seconds, lowers the carriages in the nearest safety notches. Pay attention to the height level.

4. Lowering the vehicle
 - a. Before lowering the lift check that there are not obstructions under the vehicle or the lifting arms.
 - b. Press and keep the push button „ LOWERING“ pressed, unlocks the safety notches and lowers.

5. Driving Out
 - a. Lower the lift completely.
 - b. Turn down the lifting pads and swing the lifting arms back to 90° position.
 - c. Drive the vehicle out of the lift.

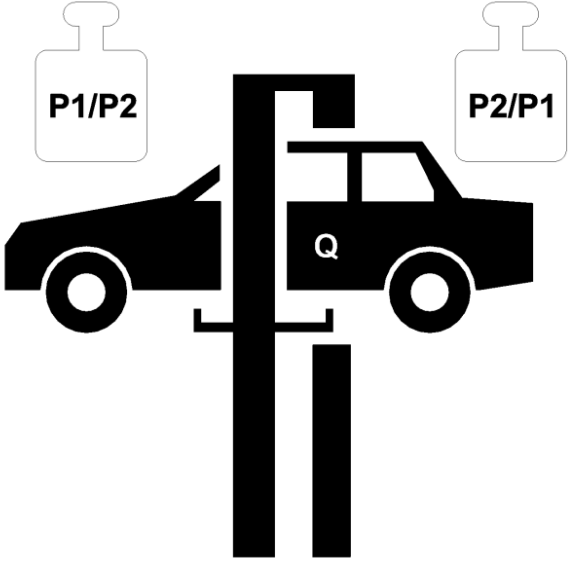
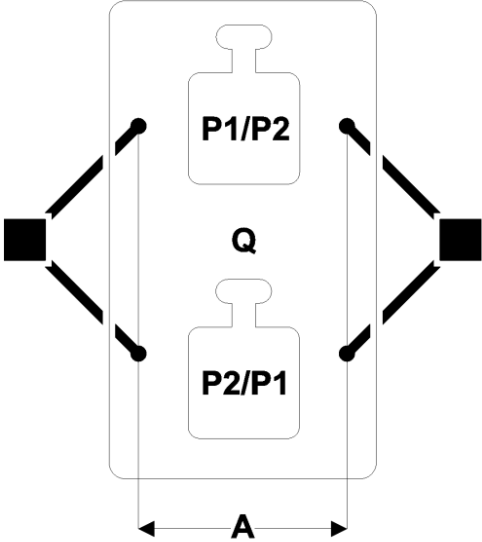
1.4 Technical Data

Type	2.35	2.35XL	2.40	2.40XL
Capacity	3.500Kg	3.500Kg	4.000Kg	4000Kg
ATH-Comfort 2.xx - Version	x		x	
ATH-Comfort 2.xx XL - Version		x		x
Lifting Time (by 2.000 kg)	36s			
Lowering Time (by 2.000 kg)	36s			
Elektrosystem	3/400V/50Hz			
Control voltage	DC24V			
Motor	3,0 KW			
Fuse Protection	3 C 16 A			
Power cable	Min. 5 x 1,5mm ²			
Protection class	IP 43			
Hydraulic pressure ²	±193 bar	±193 bar	±220 bar	±220 bar
Recommended hydraulic oil	Sommer: H-LPD 32 (z.B.: OEST H-LPD 32 DD L) Winter: H-LPD 22			
Oil quantity	Ca.10l			
Floor anchoring	Verbundanker: M16 x 190 (z.B.: Atrion AVA-W 16-045-190)			
Anchors quantity	12 X			
Noise level	84 dB			



If the nominal load could be not lifted, please contact our service team.

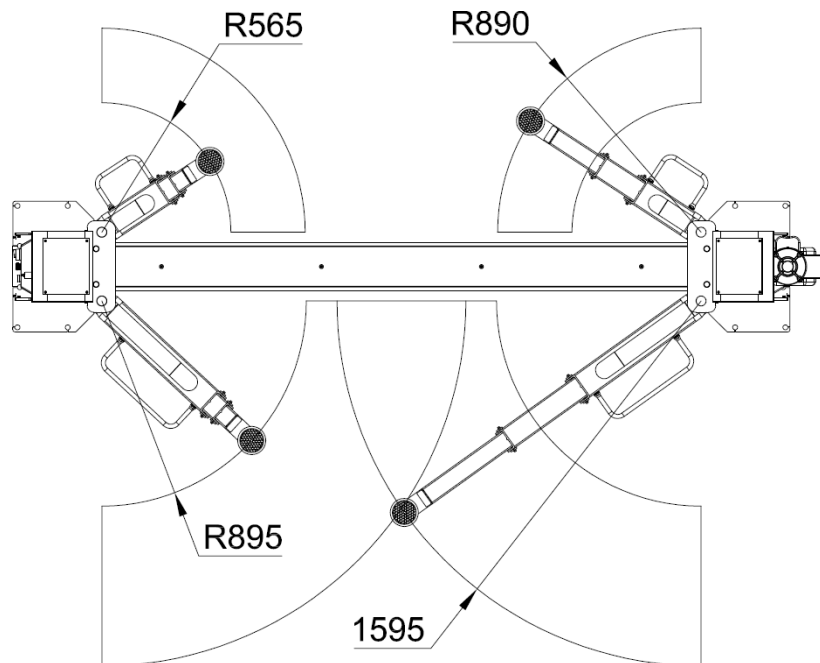
Loading distribution

	Q	Vehicle weight
	P1	Max $2/5 \times Q$
	P2	Max $3/5 \times Q$
	Load distribution	$2/3$
	A	Min. 1.000 mm^2

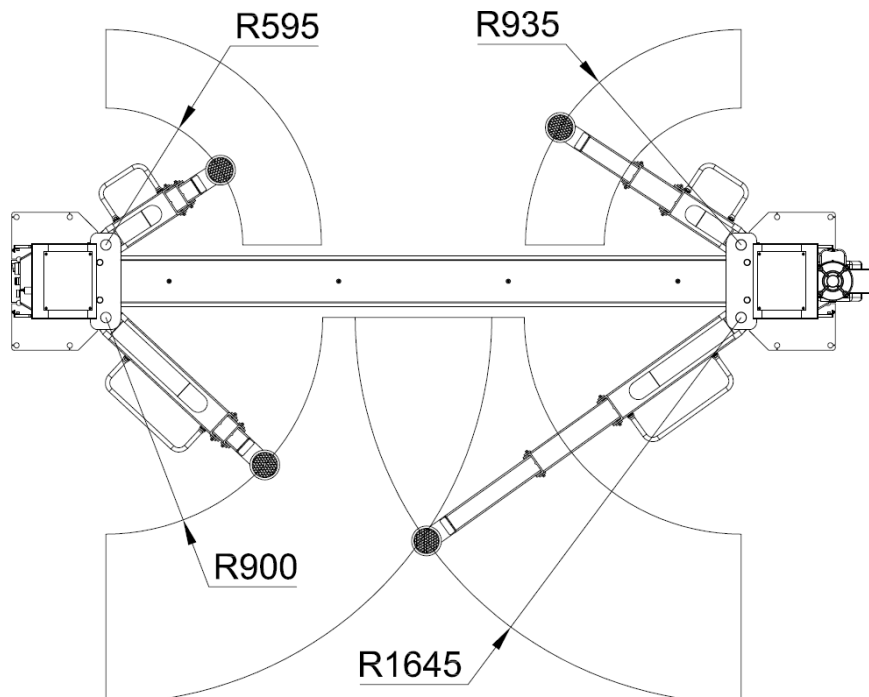


1.5 Technical Drawing

2.35 /XL

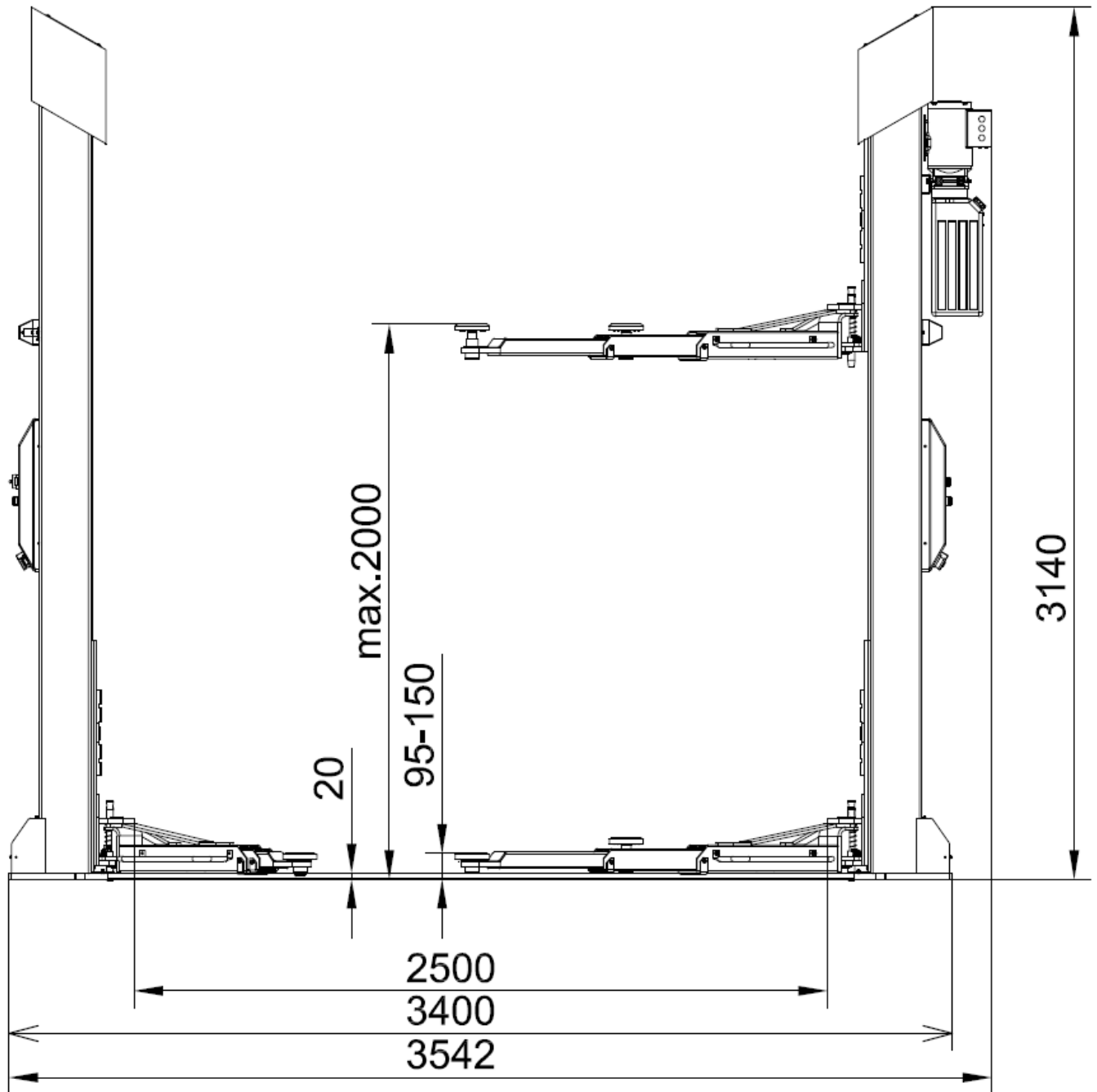


2.40/XL

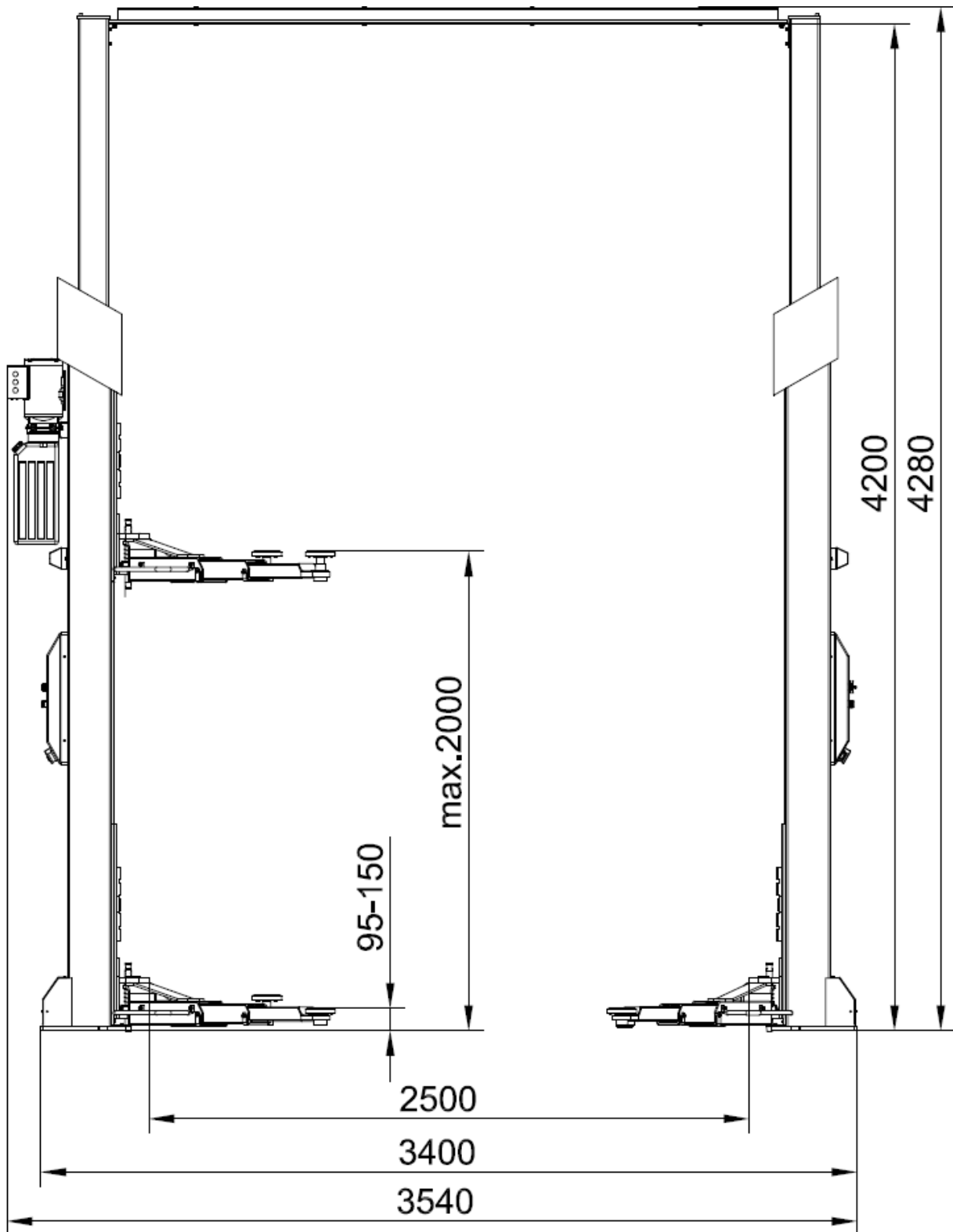


⚠ The given Lifting arms combinations may not be changed.

ATH-Comfort 2.35, 2.40 -Version




ATH-Comfort 2.35XL, 2.40XL



2.0 INSTALLATION

The machine must be installed by an authorised person according to the instructions.

	<p>The operating instructions (including the log) are an important part of the machine / product.</p> <p>!!!PLEASE STORE CAREFULLY!!!</p>
---	---

The product must be checked after completion of the installation, handover, if necessary briefing and then regularly in accordance with the applicable regulations and legal provisions in the country of operation by a suitable and approved company or facility.


2.1 Transport & Storage Conditions

When transporting and positioning the machine, always use suitable lifting and material handling equipment and consider the machine's centre of gravity.

The machine should only be transported with the original packaging.

Data:	
Width	1.000
Length	(3.000 / 3.400) (3 – 4t / 5t)
Height	1.200
Storage temperature	-10 to +50 °C

2.2 Unpacking the machine

	<p>Remove the top cover of the packaging and make sure that no damage has occurred during transport.</p> <p>Remove the safety bolt to remove the machine from the pallet / rack. Use a suitable lifting device (possibly with a stopping rope) to lower the machine from the pallet / frame.</p> <p>The packaging material used for the machine should be stored carefully. Keep the packaging material out of the reach of children as it may be hazardous.</p>
---	--

2.3 Scope of delivery

Scope of delivery



ATH-Comfort Lift 2.35/2.40	2.35	2.40
<ul style="list-style-type: none"> • Main post with hydraulic aggregate and control unit • Opposite post with 2. Control unit • Drive over cover with hydraulic hose • User's manual and the checking book • Accessories box with small parts • 2x 3-stages short lifting arms • 2x 3-stages long lifting arms • 4x Mounting bolts • 4 lifting pads • 2x Synchronization ropes • 2x Cover band with mounting brackets • 2x Post's caps 	dimensions	
	3000 x 1000 x 600mm	
	Net weight	
	664 kg	684 kg
	Gross weight	
	684 kg	704 kg

ATH-Comfort Lift 2.35/2.40	2.35 XL	2.40 XL
<ul style="list-style-type: none"> • Main post with hydraulic aggregate and control unit • Opposite post with 2. Control unit • Drive over cover with hydraulic hose • User's manual and the checking book • Accessories box with small parts • 2x 3-stages short lifting arms • 2x 3-stages long lifting arms • 4x Mounting bolts • 4 lifting pads • 2x Synchronization ropes • 2x Cover band with mounting brackets • 2x Post's caps • 2x Posts' extensions • 1x Short hydraulic hose 	dimensions	
	3000 x 1000 x 600mm	
	Net weight	
	693 kg	713 kg
	Gross weight	
	713 kg	733 kg

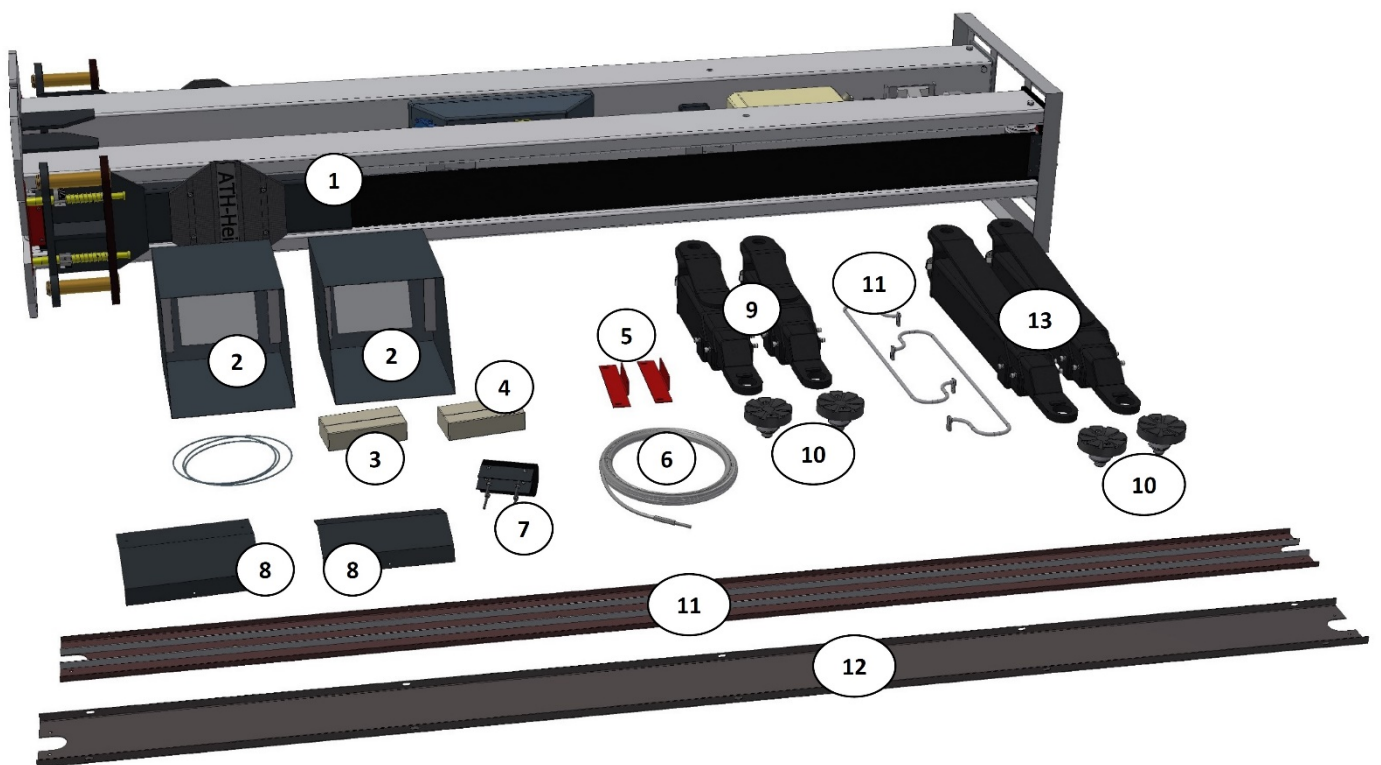


Transportation and storage:

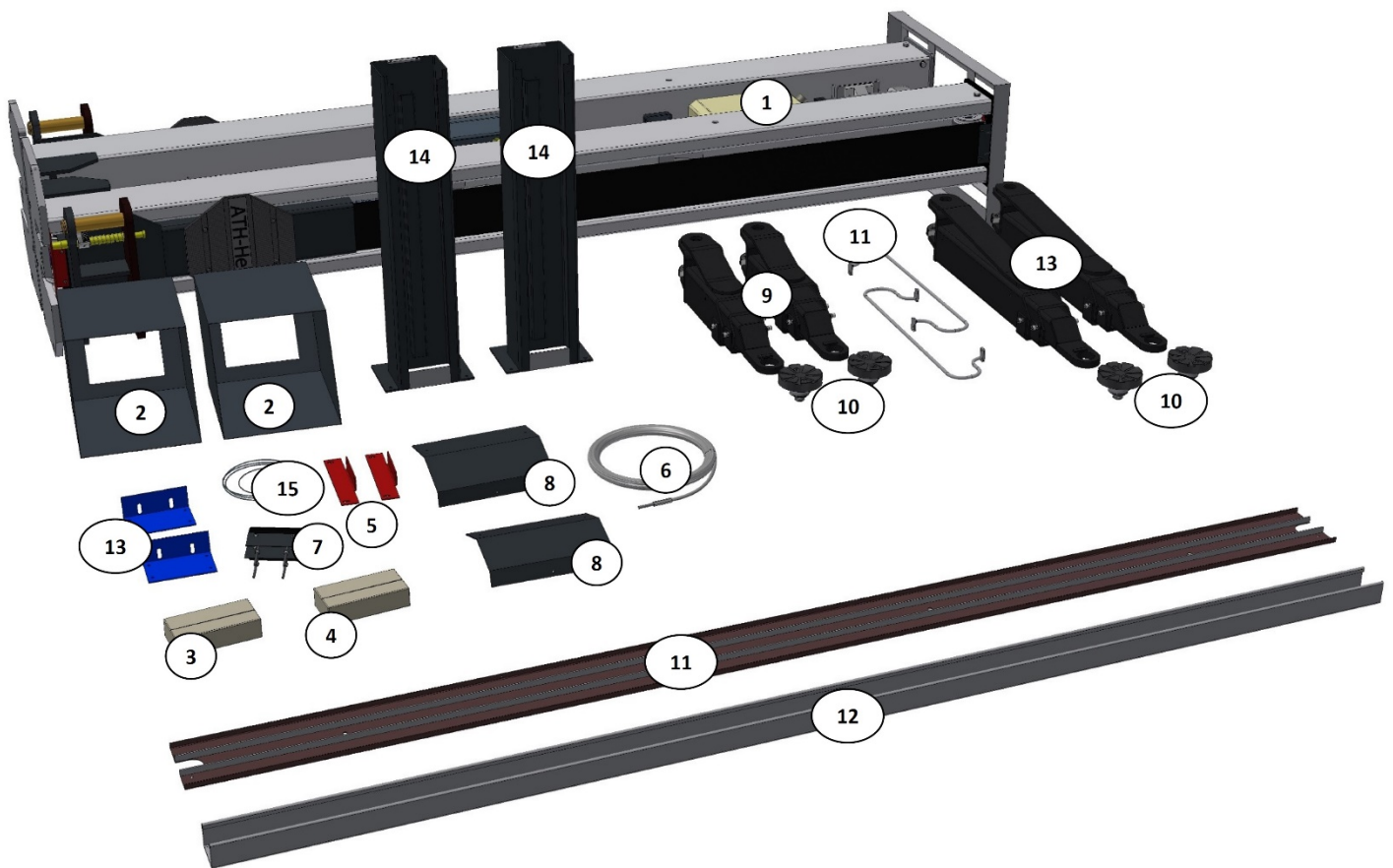
- Lift with care, using suitable means of support for the load, in perfect working order and using the special hooking points.
- Avoid sudden jolts and tugs, watch out for uneven surfaces, bumps etc.
- After removing the various packing, check that they are taken to special waste collecting areas inaccessible to children and animals where they will be disposed of.
- Warehouse-Temperature: -25°C~+55 °C

Optional:

4 lifting pad extensions, 2 supports for lifting pad extensions



ATH-Comfort Lift 2.xx



ATH-Comfort Lift 2.xx XL

2.4 Location

The machine should be kept away from flammable and explosive materials, as well as from sunlight and intense light. The machine should be placed in a well-ventilated location.

The machine must be set up on sufficiently firm ground, if necessary, according to the minimum requirements of the information given in the foundation plan.

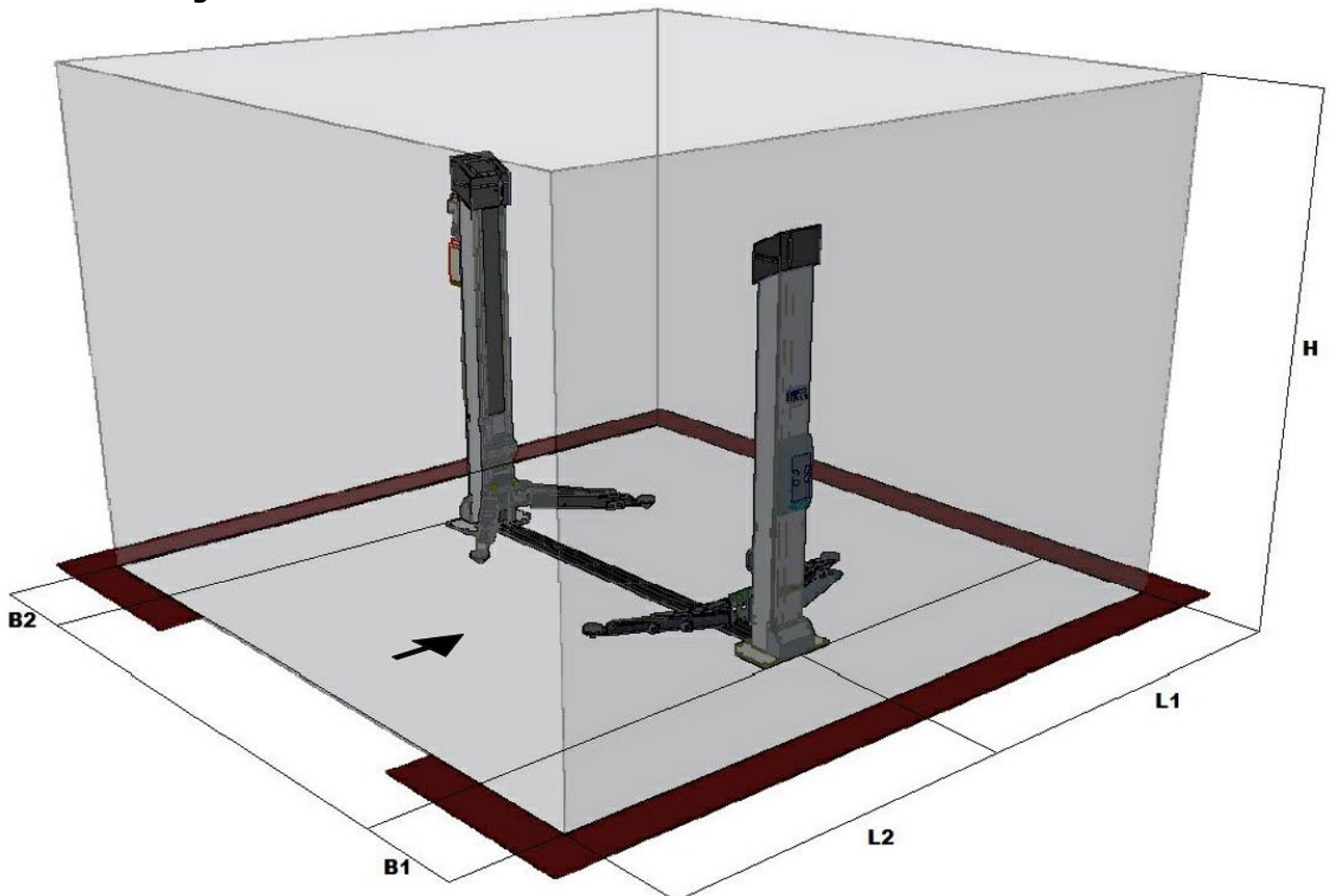
In addition to the ground conditions, the guidelines and instructions of the accident prevention regulations as well as the workplace regulations must be observed when selecting an installation site.

When assembling on floor coverings, check their load-bearing capacity. A construction expert should be consulted for inspection when mounting on floor coverings.

The machine should only be mounted and used within closed rooms. It has no corresponding safety features (e.g. IP protection, galvanised design, etc.).

Temperature	4-40 °C
Sea level	< 1500 m
Humidity	50% at 40 °C – 90% at 20 °C

Drawing



B1	Distance main post-wall	Min. 1.000mm	B2	Distance opposite post-wall	Min. 700 mm
L1	Distance post-wall	Min. 3200mm	L2	Distance post-wall	Min. 3200mm
H	Ceiling weight	Check the technical data			
Permitted operating temperatures:			10-50 °C		
Maximum permitted humidity:			≤80% By 30 °C		
Low height above the sea level:			≤2000m		
Power connection and ground cable (see technical data) it could be in form of plug connector (socket and plug device) or fixed connection.					
Necessary supply lines			See technical data		

2.5 Fixing



General and local regulations must be observed. Therefore, these steps should only be carried out by a trained professional.

The machine must be set up and fixed on sufficiently firm ground, if necessary, according to the minimum requirements of the information given in the foundation plan.

The machine must be fastened at the points provided with suitable or specified fastening material.

In addition to the ground conditions, the guidelines and instructions of the accident prevention regulations as well as the workplace regulations must be observed when selecting an installation site.

When assembling on floor coverings, check their load-bearing capacity. A construction expert should be consulted for inspection when mounting on floor coverings.

2.6 Electrical Connection



General and local regulations must be observed. Therefore, these steps may only be carried out by a trained professional.
Pay attention to the necessary supply line (see technical data).

The connection should be made with a 230V Schuko plug or 5-phase 16 A CEE plug (partially included).

Voltage deviations should be 0.9 - 1.1 times the nominal voltage range and the frequency deviation should be 0.99 - 1.01 times the frequency range.

Necessary protective measures must be taken to guarantee this.

At the end of the work, the direction that the motor rotates must be checked.

2.7 Pneumatic Connection



For all pneumatic systems, a compressed air maintenance unit (partially included) must be installed between the supply line and the system.

The air pressure of the supply line must at least correspond to the technical data.

The compressed air maintenance unit must be set correctly and checked.

The compressed air maintenance unit must be serviced at regular intervals.

The maximum or minimum pressure ensures perfect functioning without any damage.

2.8 Hydraulic Connection



Before the system is put into operation or operated for the first time with oil, the following must be observed with regard to the optimal, trouble-free and almost air-free functioning

All hydraulic lines must be connected and tightened according to the hydraulic plan and, if applicable according to the hose designation.

All hydraulic lines and cylinders must be vented according to the hydraulic plan and, if applicable, according to the hose designation.

In order to ensure the faultless and safe functioning of the system and the hose assemblies used, the hydraulic fluids used must comply with the specific instructions and recommendations of the manufacturer.

Used media that do not meet the specific requirements or which have unauthorised contamination damage the entire hydraulic system and shorten the service life of the hydraulic systems used. Warning: (system contamination can also occur when oil is refilled)

The minimum requirement and minimum oil quantity must be checked and ensured.

2.9 Assembly



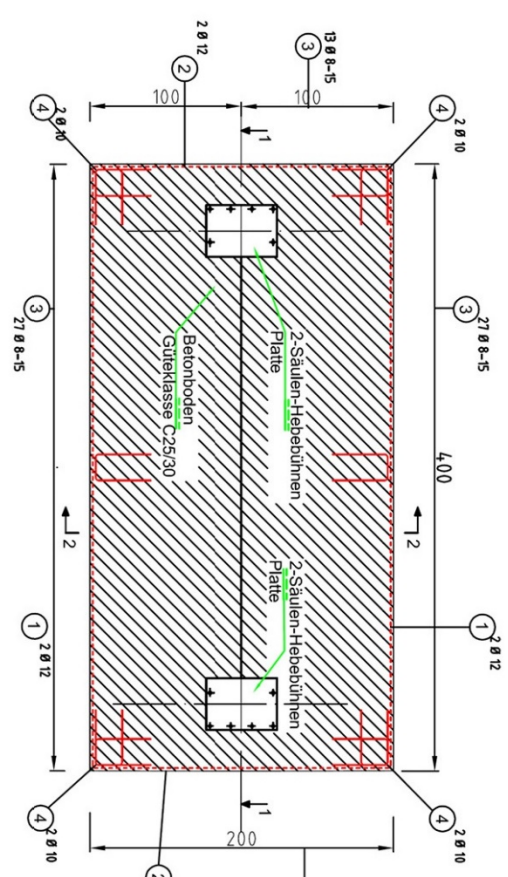
These instructions are not to be viewed as assembly instructions; hints and tips are provided only for trained expert installers. Suitable clothing and personal protection must be worn for the following work.
Incorrect installation and settings lead to exclusion of liability and warranty.

Partly pre-assembled machines must be checked, introduced and approved by a competent person before commissioning.

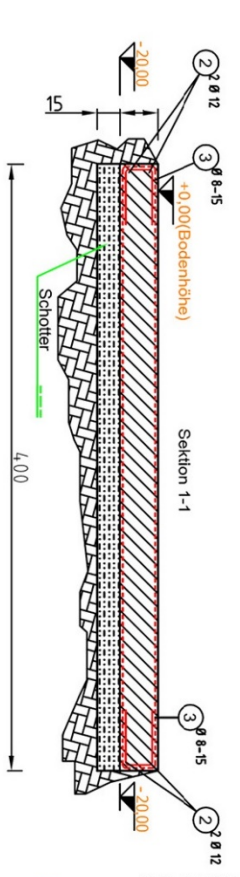
Machine assembly must be carried out by a qualified and competent person.

INSTALLATION

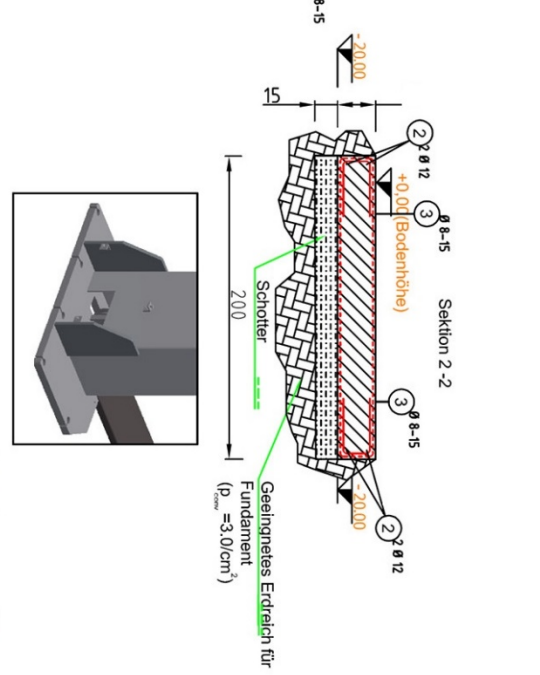
Floor foundation ATH Comfort 2.30_2.35 C25/30



Sektion 1-1



Sektion 2-2




Zugelassenes Anker-System (nach ETA-120258):
 Fischer Injektionssystem
 FIS SBR/SB (FIS ARG/M)
 Gewindestange, Galvanisch verzinkter Stahl (12 Stück)
 FIS A M16x250


20,0cm Normalbeton, C25/30, EN 206, gerissen, Trocknes Bohloch
 d0 = 1,8cm (Bohrlochdurchmesser);
 Bohrvorfahren - Hammerbohren;
 Tinstl.max = 60,0 Nm;
 hef = 12,0cm (ungerissen); 17,5 (gerissen)
 (Verankerungstiefe)


Maßstab:

gez.	02.2015	Name	ATH-HEINL
gepr.	FD		
Datum		Name	


Fundamentplan
2-Säulen-Hebebühnen
ATH-Comfort Lift 2.30,2.35 **C25/30**

Ersatz für:  **ATH-HEINL**

Blatt:  **ATH-HEINL**

Ersetzt durch:  **ATH-HEINL**

Alle Maße in cm



Pos	Stk	Ø (mm)	Einzel Länge (m)	Bemaßte Biegeform (urnmaßstäblich)	Gesamt Länge (m)	Masse (Kg)
1	4	12	3,39	339	15,72	13,96
2	4	12	1,93	193	7,72	6,86
3	80	8	0,90	"U" 4,0 X 10 X 4,0	72	28,44
4	8	10	1,00	"L" 50 X 50	8	4,94

Stabliste

Floor foundation ATH Comfort 2.40 C25/30

Sektion 1-1

Sektion 2-2

Zugelassenes Anker-System (nach ETA-120259):
 Fischer Injektionssystem
 FIS SB/RSB (FIS A/RGM)
 Gewindestange, Galvanisch verzinkter Stahl (12 Stück)
 FIS A M16x250

21,5cm Normalbeton, C25/30, EN 206, gerissen, Trocknes Bohrlloch
 d0 = 1,8cm (Bohrlochdurchmesser);
 Bohrverfahren - Hammerbohren;
 Tinst,max = 60,0 Nm;
 hef = 1,6 cm (ungerissen); 1,7,5cm (gerissen)
 (Verankerungstiefe)

Alle Maße in cm

Pos	Stk	Ø (mm)	Einzel Länge (m)	Bemafte Biegeform (unmaßstäblich)	Gesamt Länge (m)	Masse (kg)
1	4	12	4,43	4,43	17,72	15,74
2	4	12	1,93	193	7,72	6,86
3	86	8	0,92	"U" 4,0 X 10 X 4,0	79	31,25
4	8	10	1,00	"L" 5,0 X 5,0	8	4,94

Maßstab:

gez.	02.2015	Name	ATH-HEINL
gepr.	FD		

Fundamentplan
2-Säulen-Hebebühnen C25/30
ATH-Comfort Lift 2.40, 2.50

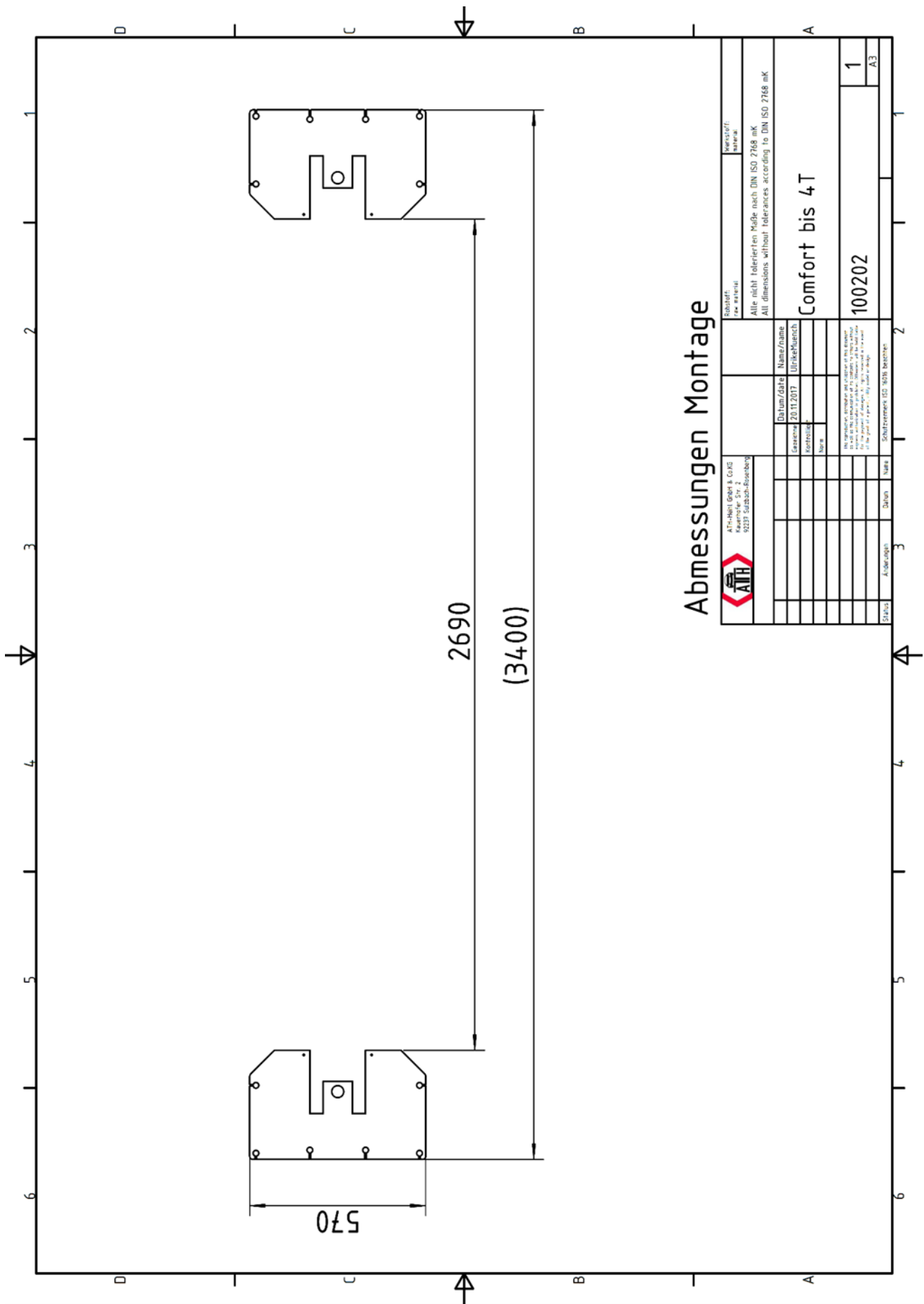
Ersatz für:

Ersetzt durch:


ATH-HEINL

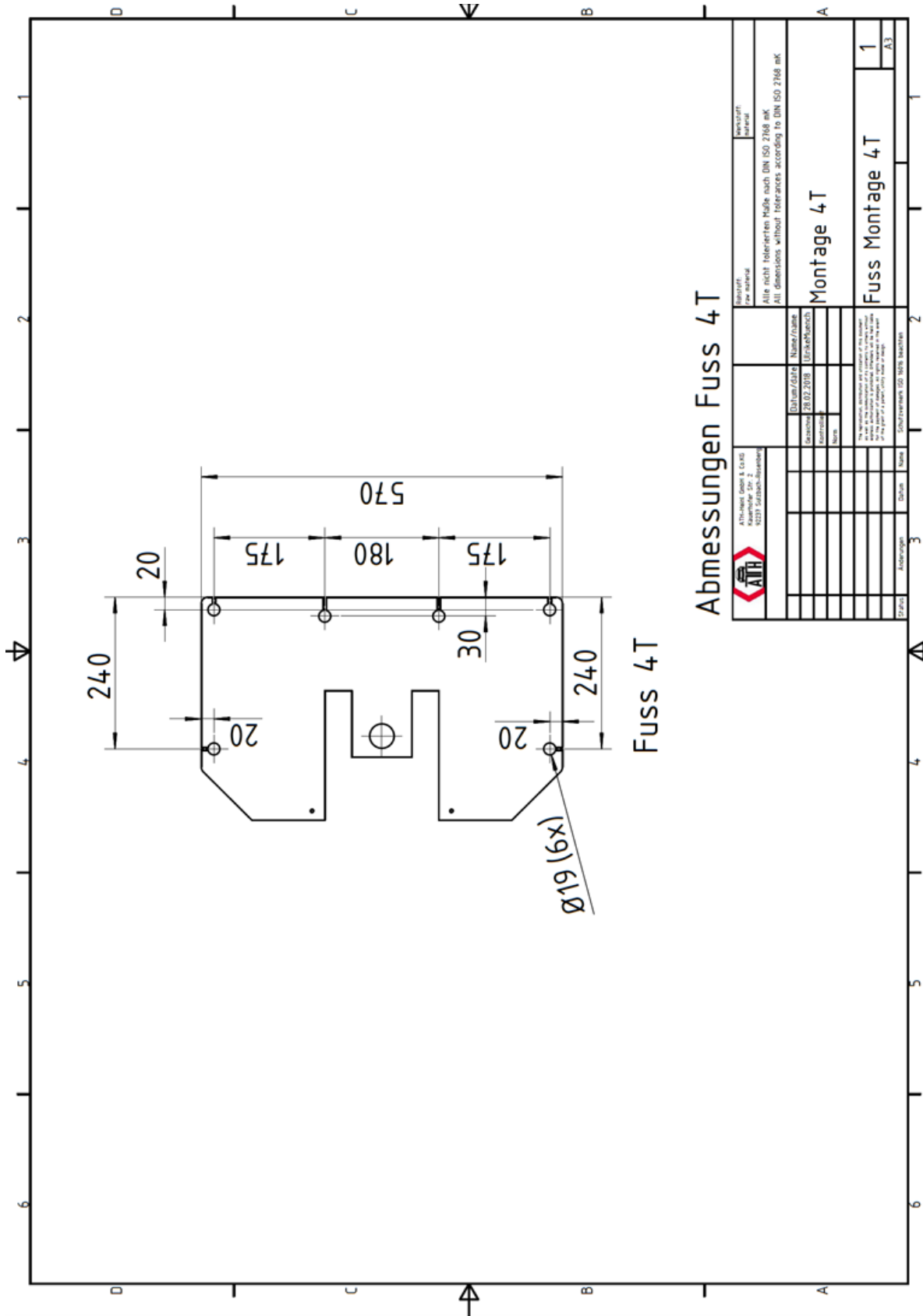
Blatt:

von:



Abmessungen Montage

 ATH-Heinl GmbH & Co.KG Kaserstraße 5/1-2 92231 Sulzbach-Loosenberg		Substanz: Material:	Material: Material:
Alle nicht tolerierten Maße nach DIN ISO 2768 mK All dimensions without tolerances according to DIN ISO 2768 mK			
Datum/Gültigkeit 20.11.2017 Ulnikehlensch. Name:	Datum/Gültigkeit 20.11.2017 Ulnikehlensch. Name:	Comfort bis 4T	
Status:	Änderungen:	100202	1 A3
Datum:	Name:	Schutzzeichen ISO 9001 Beschein.	2



Abmessungen Fuss 4T

Max. inclination	13mm
Concrete drying time:	Min. 20 Days

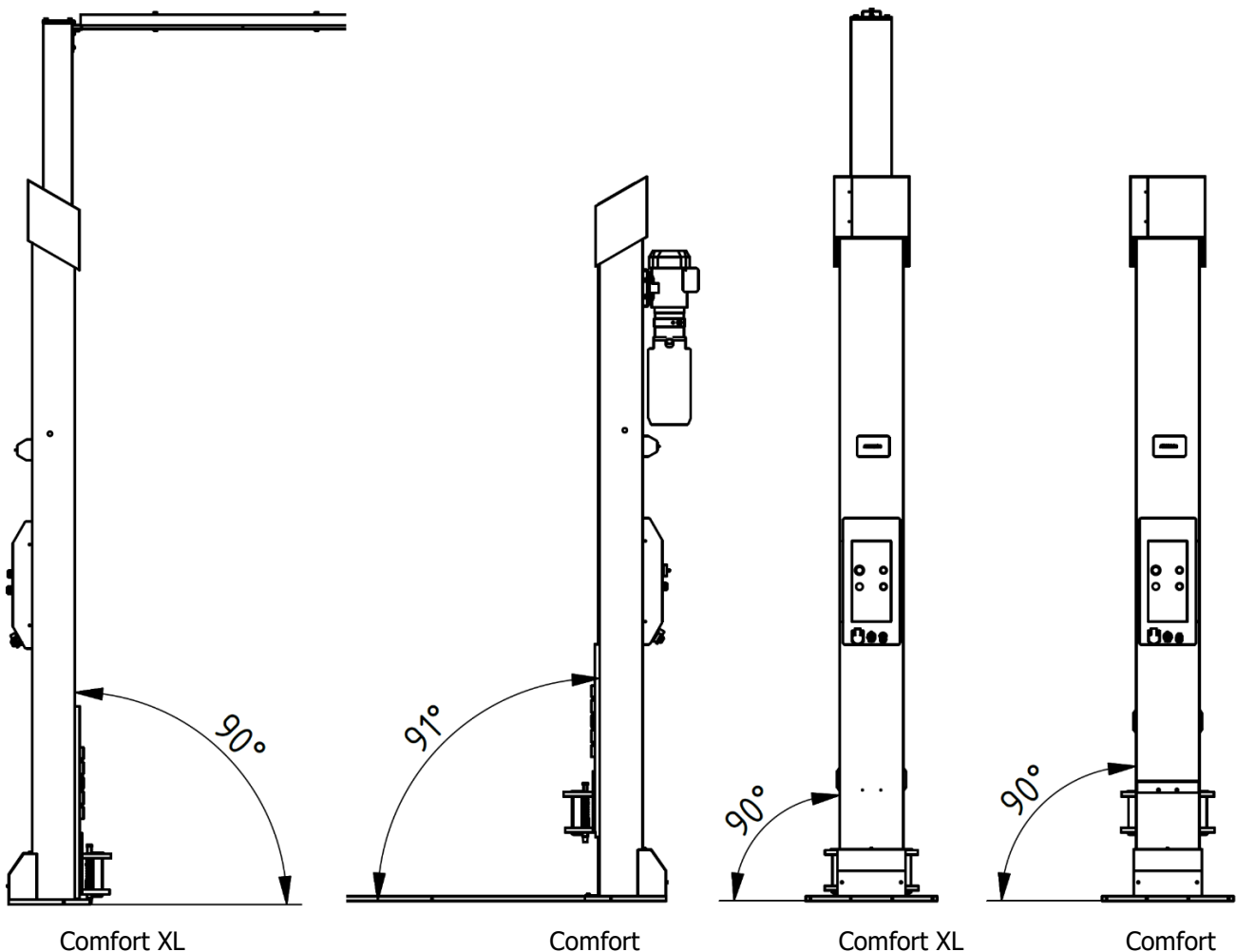
Installing of the lift



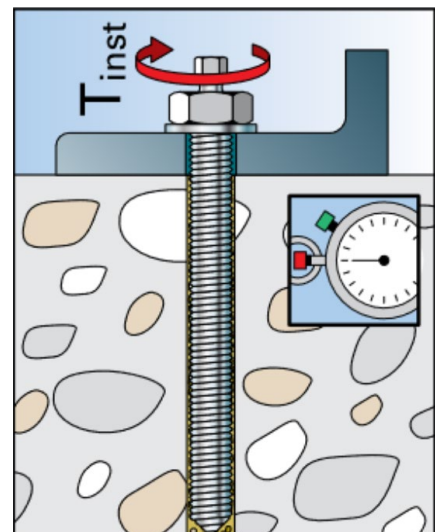
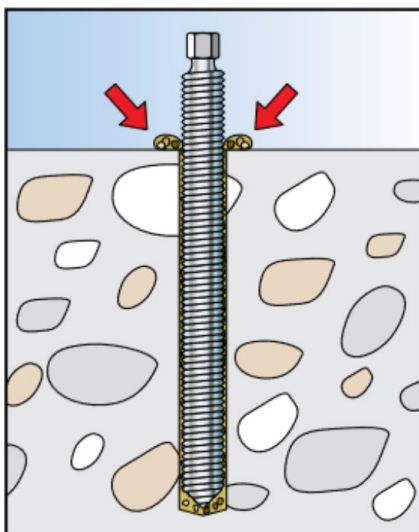
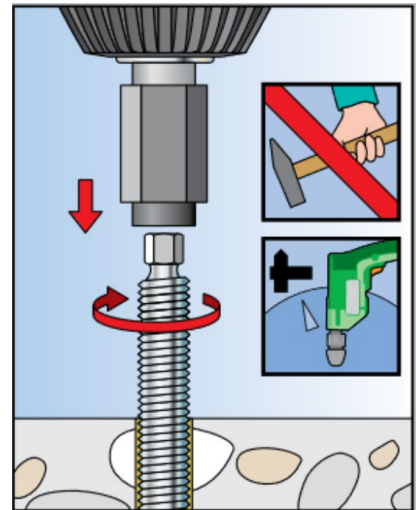
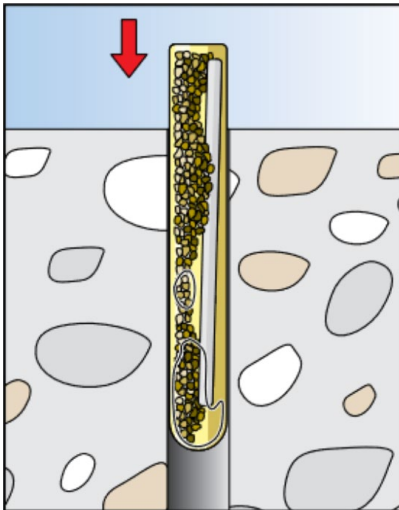
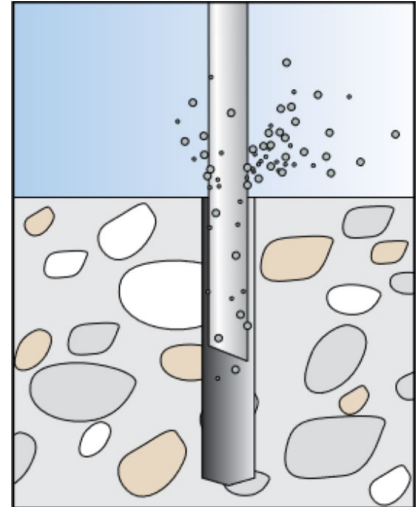
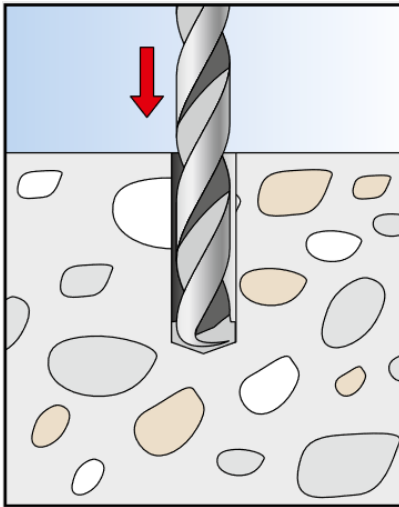
An incorrect installation and adjustments causes disclaimer of warranty.

1. Positioning and Alignment of the columns:

- a. By the XL-Version the post extensions have to be already mounted
- b. After setting up the posts the distance between the post have to be checked by attaching of the cross beam before dowelling.
- c. Before fixing with the anchors bots ensure that the both posts are aligned in both directions as indicated bellow, if necessary align them with washers or shim plates.

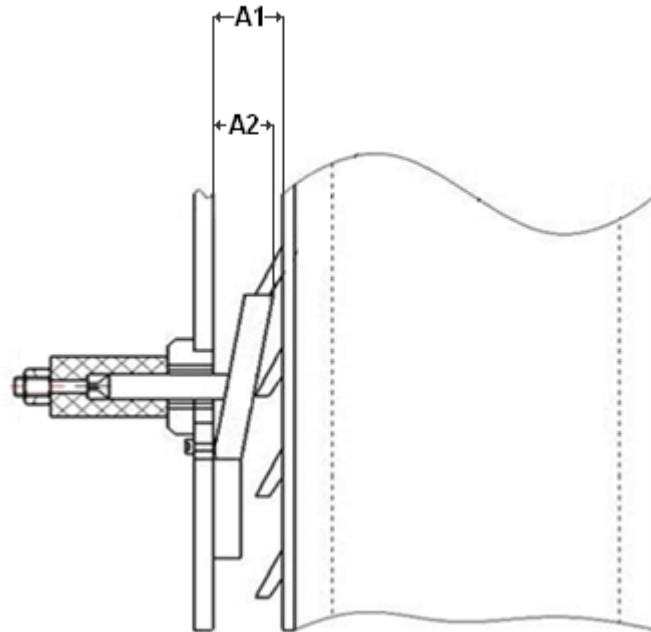


2. Anchoring with the safety dowels:



3. Installation & Setting of the locking catches

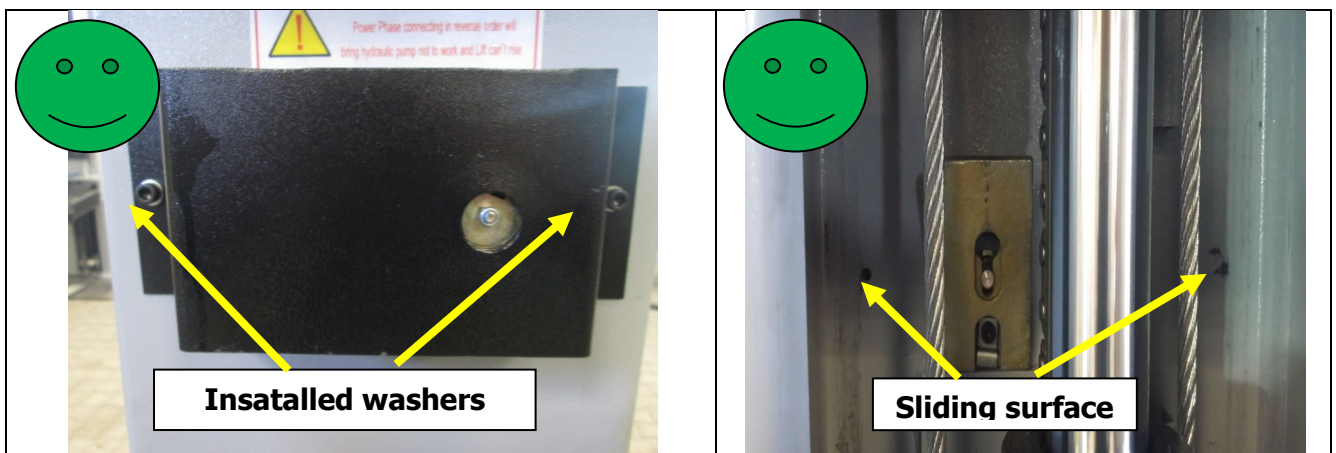
- a. Bring all the locking catches like in the following drawing.
- b. Make sure that the distance from the post to the lifting carriage (A1) and the distance between the post and the locked safety notch (A2) are the same, if necessary can be adjusted the nut of the electromagnet.

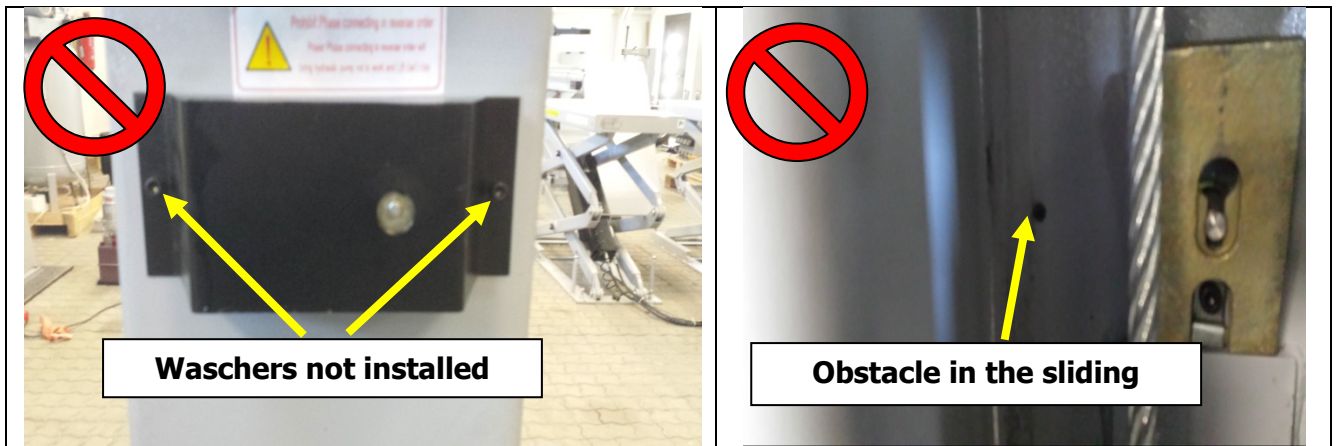


- c. Install the covers of the electromagnets.



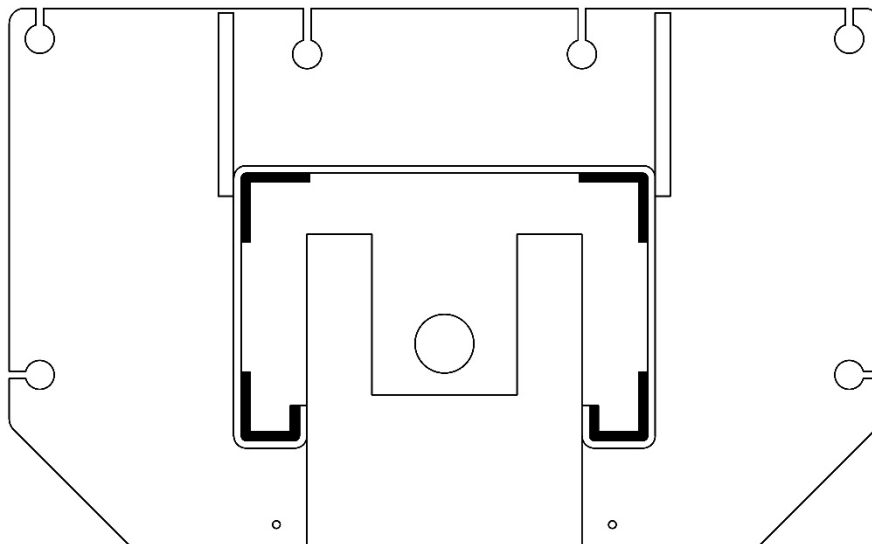
**It the washers are forgotten the screws will impede the corects lifting and lowering operation and will protrude trought the columns.
Aftre the installing, check the inner side of the columns for a smooth sliding surface.
(see pictures)**





4. Lubricate the slide ways of the posts

- a. Lubricate the slide ways of the posts like in the following drawing.
- b. The used grease will be found in the lubrication plan



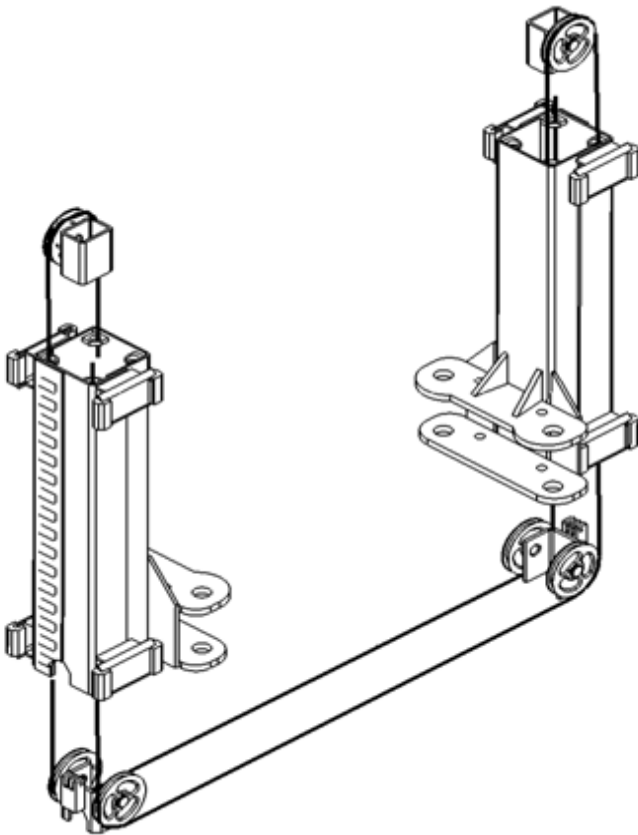
5. The lifting carriages in the first safety notch (app. 500mm)

6. Installing of the synchronization ropes

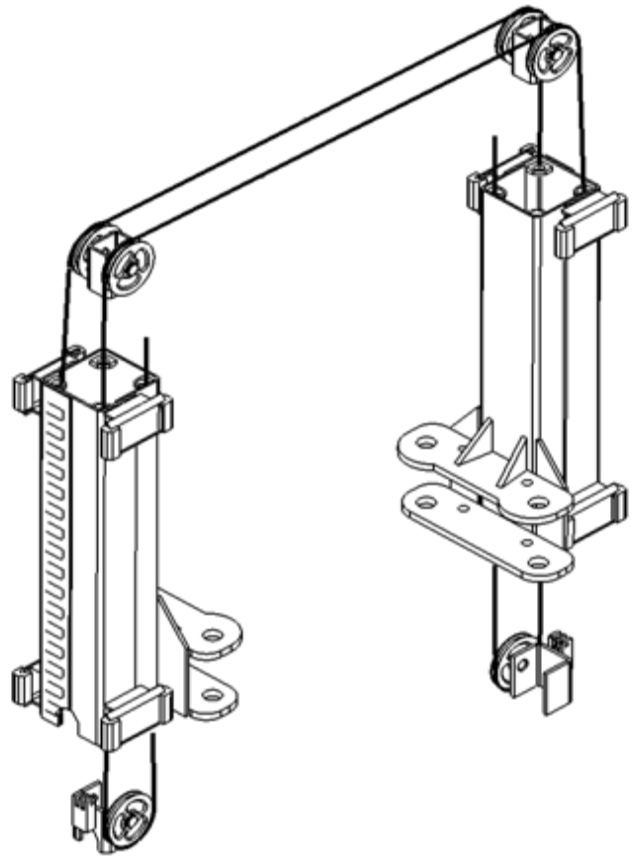
- a. Bring the synchronization ropes over the pulleys
- b. Lubricate the bolts of the pulleys, as is specified in the lubrication schedule.
- c. Fit the pulleys and fix and **SECURE THEM WITH THE DELIVERED SEEGER RINGS**
- d. Install the synchronization ropes as shown in the next drawings.



By H-Version



By XL -Version



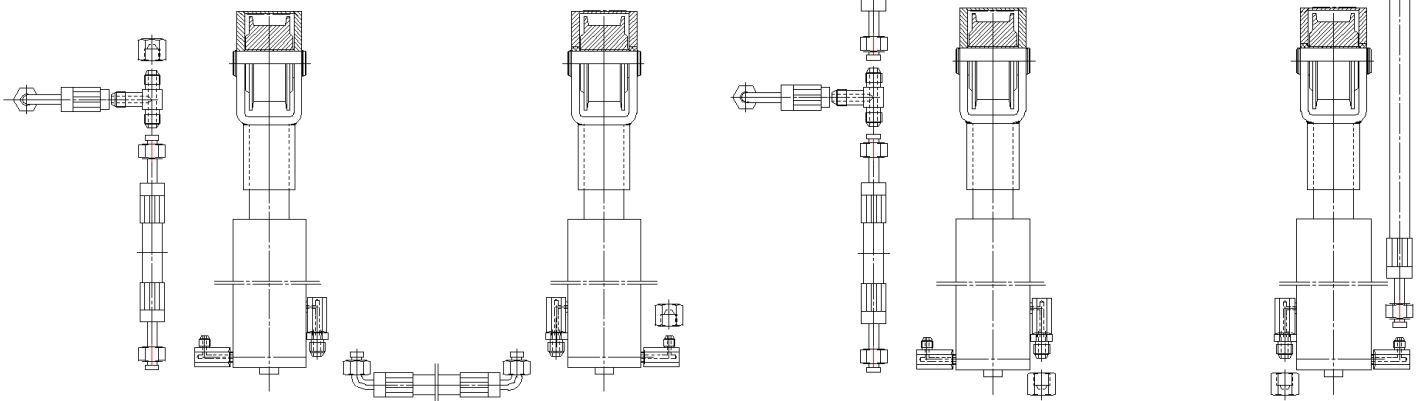
7. Installing of the hydraulic hose/hoses

- a. The hydraulic hose/hoses will be installed like in the following drawing.



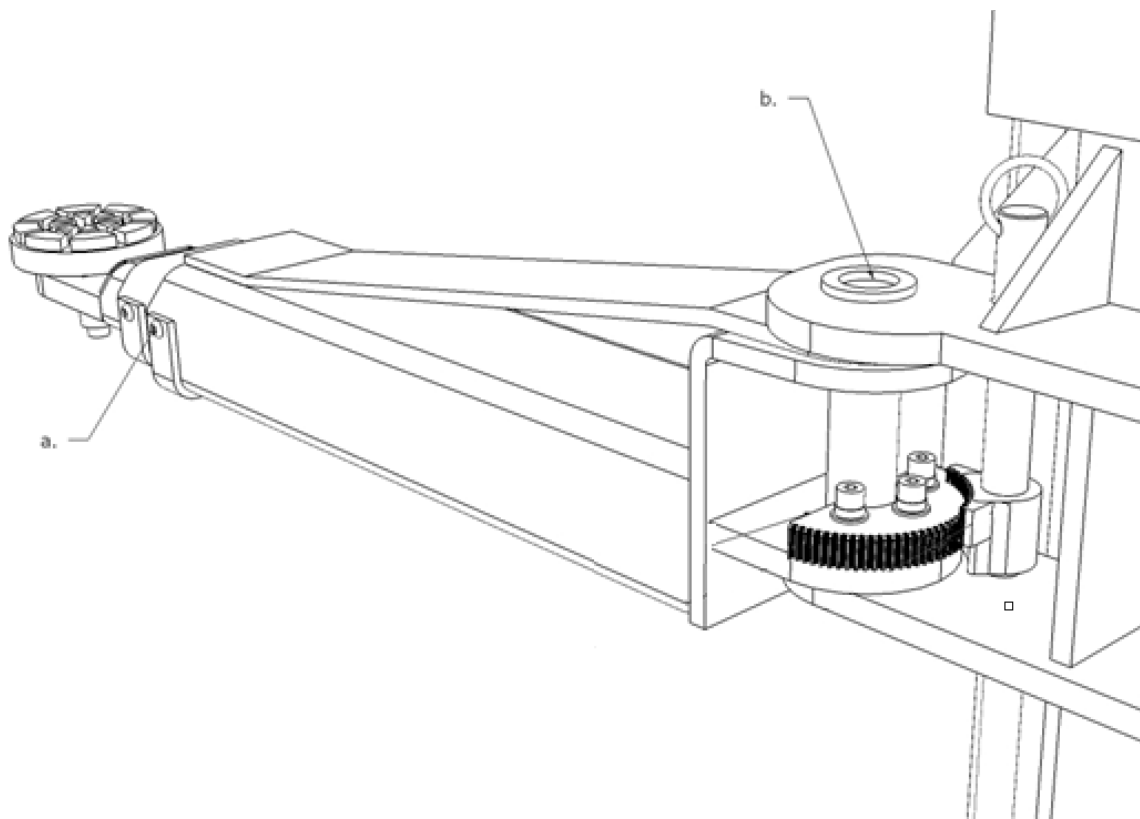
By ATH Comfort Lift 2.xx XL -Version

By ATH Comfort Lift 2.xxH version



8. Installing of the lifting arms


- a. All the pull out securities of the lifting arms control and adjust if necessary
- b. Lifting arms fix with bolts on carriage



9. Hydraulic oil

- a. Fill hydraulic oil until the oil level reaches the mark on the dipstick.
- b. For venting of the hydraulic circuit leave the Tank cap for the first 10 lifting movements opened.

10. Electric connection

 **Hereby have to be observed the general and local regulation. Therefore, this step can only be done only by trained/skilled persons/experts. Pay attention to the necessary supply (see specifications).**

11. Control before the first lifting

- a. All the screws, nuts etc. are tightened.
- b. Check all the hydraulic connections and cylinders for leakage if necessary retighten.
- c. Functioning of all push buttons. Take care that when you press the push button down all the locking catches are unlocked.
- d. Correct direction of the motor rotation.
- e. Lift and lower the lift 2 to 3 times and check the synchronization of the both carriages.
- f. Lower the lift completely and keep pressed the push button „DOWN „approximately 15 seconds so that the hydraulic system will be completely de-aired.



To check the synchronization you could hear if the safety catches are touching the carriage in the same time.

12. Loading lifting

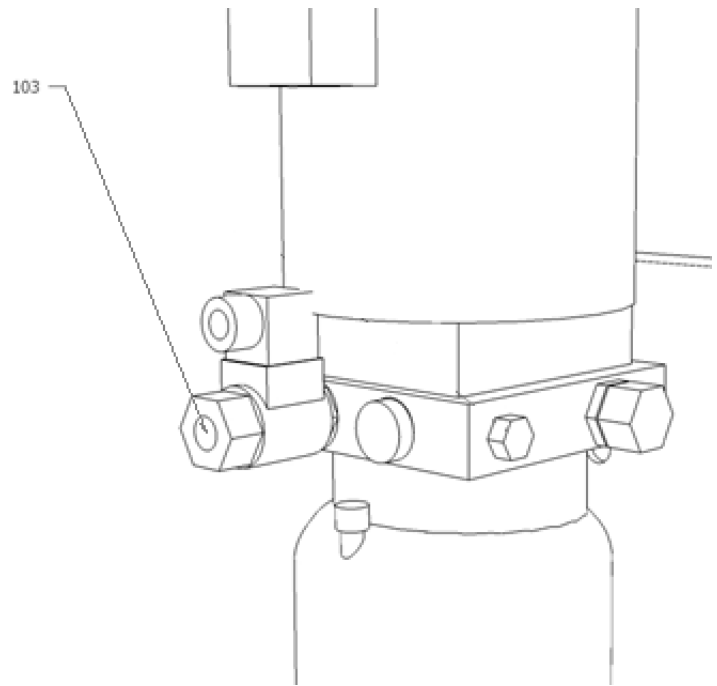
- a. Lift a load on about 1000mm height
- b. Lower afterwards the load in the first safety notch (on approx 500mm).
- c. The synchronization ropes have to be equally tight.
- d. By the next lifting check equalizer synchronization ropes tension, and adjust if necessary.
- e. Lower the lift and install the missing covers.

13. After the installation fill out the attached inspection report.



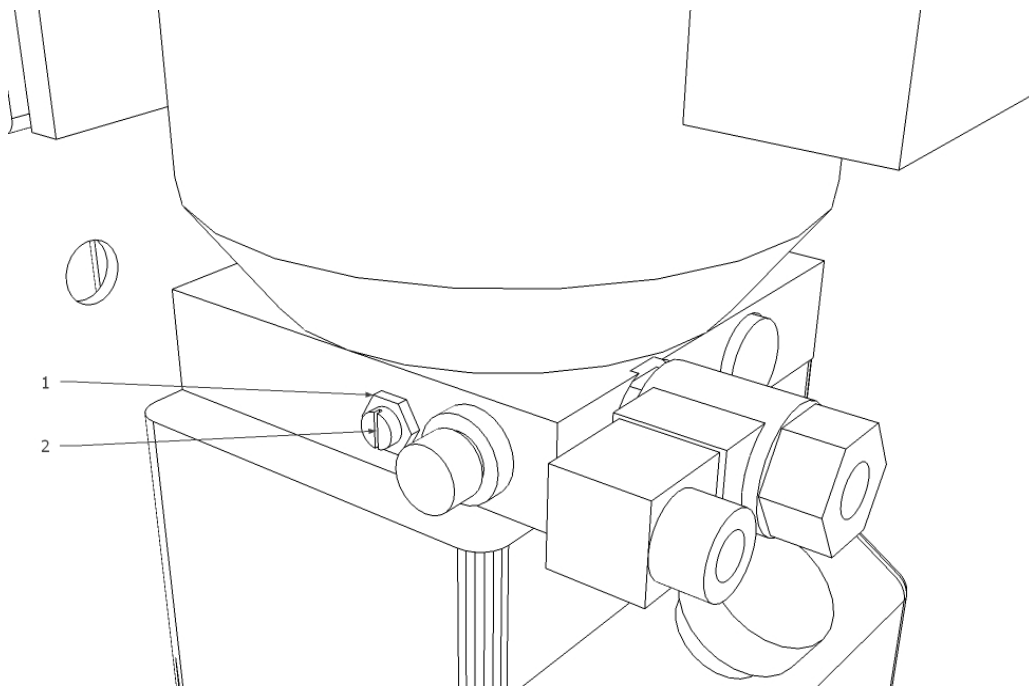
14. Emergency lowering in case of power failure

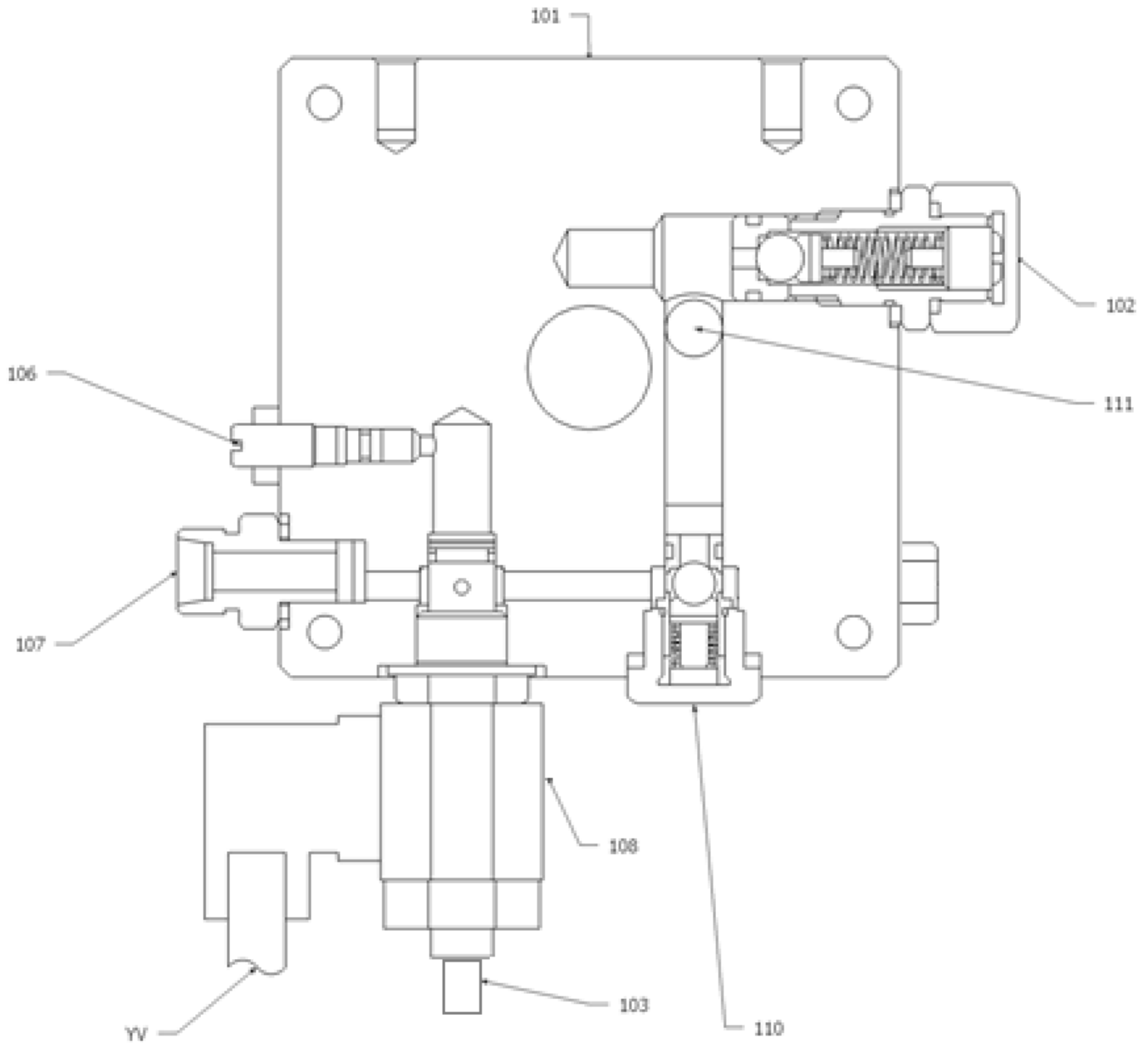
1. To unlock the safety notches lift the carriages using a suitable auxiliary lifting device approximately 30mm.
2. Unlock and fix manually the safety notches and lower the carriage.
3. Repeat the steps 1 and 2 on the opposite carriage.
4. Switch off the lift and protect it against being switched on again.
5. Turn the emergency descent screw (103) slowly to the left (counterclockwise)
6. Once complete, close the emergency descent screw (103) by turning it to the right (clockwise)



15. Settings of lowering speed

- a. Loosen the counter nut (1) of the lowering valve (106; 2).
- b. Set the lowering speed as indicated in the technical data.
- c. Turning the grub screw of the lowering valve (106; 2) clockwise lowers the lift more slowly, turning it counterclockwise lowers it faster.
- d. At the end of the work, secure your setting by tightening the counter nut of the lowering valve (106; 2)





101: Hydraulic block	102: Pressure control valve
103: Emergency descent screw	106: Lowering speed control valve
107: Hydraulic fitting connection	108: Lowering valve with descend screw
110: Non return valve	111 Hydraulic gear pump
YV: Solenoid for lowering valve	

2.10 Completion of Work



Before commissioning, check all fastening screws, electrical, pneumatic and hydraulic lines and, if necessary, tighten these. Warning: in some cases, this must be checked at regular intervals and tightened if necessary (note in the instructions).

3 OPERATION

3.3 Operating Instructions

Company:	Operating Instructions	Date:
Place of work:	for Lifting Platform	Signature:

Risks to People and the Environment



- Falling of loads or parts
- Crushing and shearing points when moving the lifting platform
- Danger due to uncontrolled moving parts



Protective Measures and Rules of Conduct

Before starting work:



- Lifting platforms may only be used independently by trained persons over the age of 18 who have been instructed in writing.
- When working with more than one person, a supervisor must be appointed
- Daily functional check
- Observe the manufacturer's operating instructions



During operation:

- Pay attention to crush and shear points in the environment
- Do not load the lifting platform above the permitted maximum load
- Do not lift people
- Do not shake the lifting platform, avoid rocking.
- When lowering, do not stand in the lifting platform movement area
- Arrange regular checks of the lifting platform

Response to faults and hazards

- In case of fault, stop the lifting platform immediately
- Secure against further use
- Report defects to the installer or manufacturer

First Aid



- Inform first aiders (see alarm/emergency plan)
- Treat injuries immediately
- Enter into the accident book
- Contact emergency services for serious injuries

Emergency number: _____
Ambulance service: _____

Maintenance

- Repair only by instructed and trained persons
- Disconnect or secure the lifting platform from the mains power supply for set-up, adjustment, maintenance or servicing
- Clean the lifting platform after operation and check the hydraulic level
- **Annual check** of the lifting platform by an authorised and trained person

3.4 Basic Information

Independent operation of the machine may only be carried out by persons over the age of 18 who have been trained in the operation of the machine and have demonstrated their ability to do so to the employer. They must be expressly contracted by the employer to operate the machine. The order to operate the machine must be given in writing.

The machine must only be used for its intended use.

Always use appropriate material during installation and operation.




Before assembly or disassembly check all components for damage.

If necessary, observe special manufacturer instructions for mounting or dismounting of vehicle-specific work.

An important part of the guarantee / warranty is fulfilment of the maintenance plan. This includes in particular, ensuring cleanliness, corrosion protection, checks and repairing damages immediately if required.

During operation attention should always be paid to hazards. As soon as dangers occur, switch off the machine immediately, remove the mains plug and disconnect the air supply. Then contact your dealer.



All warning labels must always be easy to read. If damaged, they must be replaced immediately.

	<p>Pay attention to possible shearing points around the machine.</p>
	<p>During operation, the noise can reach 85dB (A), so the operator should take appropriate protective measures.</p>
	<p>Moving parts of the machine can catch loose clothing, long hair or jewellery.</p>

4 MAINTENANCE

The user must maintain the machine regularly to ensure safe operation.

Repair work may only be carried out by authorised service partners or after customer consultation with the manufacturer.

	<p>Before maintenance and repair work:</p> <ul style="list-style-type: none"> - The machine must be disconnected from ALL supply networks - Pull main switch out of mains plug, if necessary, discharge compressed air from system - Appropriate measures must be taken against a restart
	<p>Work on electrical elements or on the supply line may only be carried out by experts or electricians.</p>

4.3 Consumables for installation, maintenance and servicing

Hydraulic Oil

General minimum requirement:

Eni PRECIS HVLP-D Item No. 00066018

Summer (15° to 45°): HVLP-D 46 (e.g.: Eni PRECIS HVLP-D)

Winter (under 10°): HVLP-D 32 (e.g.: Eni PRECIS HVLP-D)

Minimum requirement **especially for 2-post lifts:**

Eni PRECIS HVLP-D Item No. 00067218

Summer (15° to 45°): HVLP-D 32 (e.g.: Eni PRECIS HVLP-D)

Winter (under 10°): HVLP-D 22 (e.g.: Eni PRECIS HVLP-D)

Preservative for ropes, welds, screws, corners, edges and cavities.

Minimum requirement:

Petec spray translucent - 500 ml Item No. 73550 / Petec wall inlet translucent - 1000 ml Item No. 73510

Petec UBS pistol Item No. 98507

Slideway lubricant

Minimum requirement:

STORER WHS 2002 White EP high performance grease. Item No. KPF1-2K-20

Lubricant for bushes, chains, rollers & moving parts

Minimum requirement:

White ultra lube, 500 ml aerosol. Item No. 34403 – WUL – White Ultra Lube

Floor anchor

Minimum requirement **for lifting platforms:**

Fischer FIS A M 16 x 250 galvanised in combination with Fischer Superbond reaction cartridge

Minimum requirement for **passenger car and passenger car/truck balancing machine:**

Impact anchor M8 x 100

Minimum requirement **for truck mounting machine:**

Impact anchor M12 x 100

Compressed air system

Minimum requirement:

PROMAT chemicals special compressed air oil Item No.: 4000355209

Cleaning

Minimum requirement:

Caramba intensive brake cleaner acetone-free

Care and protection of metals, painted or powder-coated surfaces

Minimum requirement:

Petec spray translucent - 500 ml Item No. 73550

Petec wall inlet translucent - 1000 ml Item No. 73510

Petec UBS pistol Item No. 98507

Care and protection of metals, painted or powder-coated surfaces in the tread area and plastic parts

Minimum requirement:

Valet Pro Classic Protectant Plastic Sealant 500 ml

4.4 Safety Regulations for Oil

Always observe the legal requirements or regulations for handling used oil.

Always dispose of used oil through a certified organisation.

In the case of leaks, oil must be collected immediately with binders or trays so that it cannot penetrate into the soil.


Avoid any skin contact with the oil.

Do not allow oil vapours to escape into the atmosphere.

Oil is a combustible medium. Pay attention to possible hazards.

Wear oil-resistant protective clothing, such as gloves, goggles, protective clothing, etc.

4.5 Notes

	<p>Regardless of the level of dirt, the machine must be maintained, cleaned and serviced at regular intervals.</p> <p>The machine should then be treated with a care product (such as oil or wax spray). Do not use cleaning agents that are harmful to the skin.</p> <p>IF THE ABOVEMENTIONED POINTS ARE NOT FULFILLED, THE WARRANTY CLAIM IS EXCLUDED</p>
---	---

4.6 Maintenance or Service Plan

Interval	Immediately	Weekly	Monthly	Every 3 months	Every 6 months
Check of ALL safety-relevant parts	X				
Cleaning	X				
Check or restore surface protection	X				
Check for leaks in the hydraulic system	X				
Check or restore surface protection or corrosion protection	X				
Check or restore damage to the paint and components	X				
Check or restore rust damage	X				
Check or treat cavities and non-painted areas	X				
Check for leaks in the pneumatic system	X				
Control the tightness of screws	X				
Check, lubricate & adjust bearing slack	X				
Check wear parts		X			
Check fluids (level, wear, contamination, quality)		X			
Check and lubricate sliding surfaces		X			
Remove any dirt inside			X		
Clean and check electrical components				X	
Check motor and transmission for function and wear				X	
Check welds and construction				X	
Visual inspection (according to inspection plan)					X

4.7 Troubleshooting / Error Display and Solutions

Symptoms	Cause	Solution
Lifting Problems		
Lifting platform does not lift when button is pressed (motor does not run)	Damage to the motor	Check motor and replace if necessary
	Blown fuses from e.g. voltage fluctuations	Remedy the causes and replace the fuses
	Defective button and/or contact	Replace button and/or contact
	Defective main switch and/or contact	Replace main switch and/or contact
	Defective or insufficient supply line	Replace cable
	Fluctuating or incorrect input voltage	Check power
	Defective motor contactor	Replace motor contactor
	Thermal relay has tripped	Check thermal relay and motor
	Limit switch defective or blocked	Check limit switch and replace if necessary
Lifting platform does not lift when button is pressed (motor runs)	Hydraulic oil shortage	Refill oil
	Oil filter blocked	Clean the oil filter
	Oil leakage	Replacement of damaged components
	Opened lowering valve	Check and replace the lowering valve if required
	Motor rotates in wrong direction	Replace phases
	Broken gear pump	Check the pump and replace if necessary
	Permissible load has been exceeded	Work within the specified load
	Pressure relief valve set too low	Set pressure relief valve to maximum load
Lifting platform lifts jerkily	Not enough space between rails	Distance between rails and guide must be 1.5 - 2.5 mm
	Air in hydraulic system	Bleed the hydraulic system
	Contaminated hydraulic oil	Change the hydraulic oil
	Slideways are not lubricated	Lubricate the slideways
Lifting platform continues to lift after releasing the button	Defective button	Replace the defective button

Lowering Problems		
Lifting platform does not lower	Safety catches do not respond	Check cable connection Check electromagnets, replace if necessary Relieve the catches by lifting
	Defective control relay	Check control relay
	Obstruction under platform	Remove obstruction
	Hose rupture protection triggered	Lift the platform briefly and press "DOWN" again
	Lowering valve is not activated	Check electrical connection
	Defective lowering valve solenoid	Replace solenoid
	Defective lowering valve	Replace
	Valve for lowering speed set incorrectly	Set
If the errors cannot be rectified, lower the lifting platform with the emergency lowering screw and contact our service team		
Platform lowers too slowly or jerkily	Contaminated lowering valve	Clean lowering valve
	Valve for lowering speed set incorrectly	Set
Lifting platform lowers by itself	Leaking hydraulic connections	Retighten connections if necessary
	Leaking hydraulic lines	Replace hydraulic line
	Leaking hydraulic cylinder	Replace and clean the seals of the hydraulic system
	Dirty or defective lowering valve	Clean or replace the lowering valve
	Leaking check valve	Clean or replace
Other Problems		
Lifting platform does not raise or lower synchronously	Air in hydraulic circuit	Bleed the hydraulic circuit
	Synchronising cables not tight enough	Adjust the tension or the synchronicity
Product shows (heavy) rust damage	Damage or lack of corrosion protection, possibly maintenance	Remove rust, clean and restore surface.
Abnormal motor volume	Dirty oil filter	Clean the oil filter
	Air in hydraulic circuit	Bleed the hydraulic system
	Contaminated hydraulic oil	Change the hydraulic oil
Circuit breaker has been activated	Check the contact on the contactor	Replace the contactor
	Check the capacity of circuit breakers	Replace the fuses
	Check for damage to the cable	Replace the cable
ALWAYS USE ORIGINAL PARTS AND ACCESSORIES.		

4.8 Maintenance and Service Instructions



All maintenance and service work should be carried out at least according to the maintenance schedule

COMPRESSED AIR MAINTENANCE UNIT (Partial stock if necessary for the activity)

SETTING THE WORKING PRESSURE:

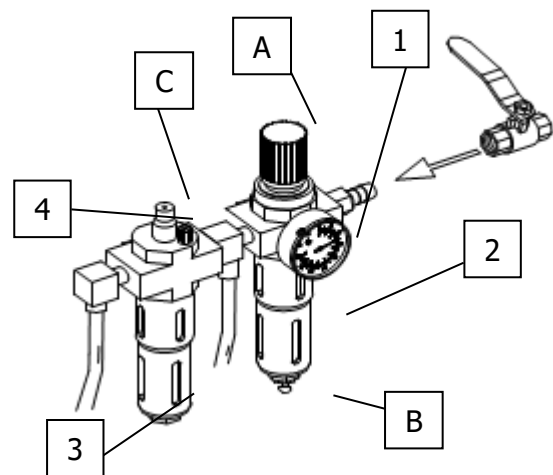
- Check the working pressure displayed by the manometer (1). This must correspond to the technical data.
- The working pressure can be adjusted with a pressure regulator (A).
- Pull the pressure regulator upwards to make adjustments.
- Turn the knob clockwise to increase the pressure in the machine, turn it counter clockwise to decrease.

OILER

- Check the oil level in the oil reservoir (3).
- Remove the oil reservoir.
- Now refill the tank with a pneumatic oil with a viscosity of SAE20.
- Check the injection quantity of the oil through the viewing glass (4).
- Generally, the screw must be closed completely in a clockwise direction and then opened again about $\frac{1}{4}$ to $\frac{1}{2}$ turn by turning it counter clockwise.

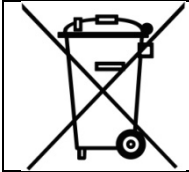
WATER SEPARATOR

- Check the water level in the separator (2).
- Water is drained when the valve (B) is opened.



4.9 Disposal

- Remove the air and power supply.
- Remove all non-metallic substances and store them in accordance with local regulations.
- Remove the oil from the machine and store it in accordance with local regulations.
- Recycle all metallic substances.



The machine contains some substances that can pollute the environment and cause harm to the human body if not handled correctly.

5 EG-/EU-KONFORMITÄTSERKLÄRUNG / EC-/EU-DECLARATION OF CONFORMITY

gemäß Maschinenrichtlinie 2006/42/EG, Anhang II 1A, EMV-Richtlinie 2014/30/EU, Anh. IV
In accordance to Machine Directive 2006/42/EG, Appendix II 1A, EMC Directive 2014/30/EU, App. IV

Seriennummer
Serial number

Firmenbezeichnung und vollständige Anschrift des Herstellers
Business name and full address of the manufacturer

ATH-Heinl GmbH & Co. KG
Gewerbepark 9
92278 Illschwang
Germany

Name und Anschrift des Dokumentations-Bevollmächtigten
Name and address of the Technical Files authorized representative

ATH-Heinl GmbH & Co. KG
Gewerbepark 9
92278 Illschwang
Germany

Hiermit erklären wir, dass die nachfolgend bezeichnete Maschine in der von uns in Verkehr gebrachten Ausführung den einschlägigen, grundlegenden Sicherheits- und Gesundheitsanforderungen der EG-Richtlinie 2006/42/EG sowie den unten aufgeführten Harmonisierungsrechtsvorschriften entspricht.

We herewith declare that the machine described below, as a result have been brought on to the general market comply with the relevant fundamental Safety and Health regulations of the of Directive 2000/60/EC and the harmonized standards listed below.

Beschreibung der Maschine *Descriptions of the machine*

Typbezeichnung
Model name

Der oben beschriebene Gegenstand der Erklärung erfüllt die folgenden einschlägigen Harmonisierungs-Rechtsvorschriften der Union
The object of the declaration described above meets the following applicable Community harmonisation legislation

Folgende harmonisierten Normen und Vorschriften wurden eingehalten
The following harmonized standards and regulations are applied

Prüfinstitut
Institute of Quality

Referenznummer der technischen Daten
Reference number for the technical data

Nummer des Zertifikats
Number of the certificate

ATH-Heinl GmbH & Co. KG
Gewerbepark 9
92278 Illschwang
Germany
Im Dezember 2018

Hebebühne für Fahrzeuge *Car lift*

**Comfort Lift 2.35, Comfort Lift 2.40,
Comfort Lift 2.35XL, Comfort Lift 2.40XL**


**Richtlinie 2006/42/EG, EU-Abl. L 157/24 vom 09.06.2006
Richtlinie 2014/30/EU, EU-Abl. L 96/79 vom 29.03.2014**

**EN ISO 12100:2010 Safety of Machinery
DIN EN 1493:2010 (Machine-Directive)
DIN EN 60204-1: 2006/AC:2010 (Electrical equipment of machines)**

**CCQS UK Ltd.
5 Harbour Exchange Square, London
E 14 9GE, UK**

**TF-C-0612-18-79-03-5A (3500Kg)
TF-C-0612-18-79-04-5A (4000Kg)**

**CE-C-0612-18-79-03-5A (3500Kg)
CE-C-0612-18-79-05-5A (4000Kg)**



Hans Heinl
(Geschäftsführer / General Manager)

DURCH UMBAUTEN UND/ODER VERÄNDERUNGEN AN DER MASCHINE WIRD DIE CE-PRÜFUNG AUSSER KRAFT GESETZT UND EINE HAFTUNG AUSGESCHLOSSEN.

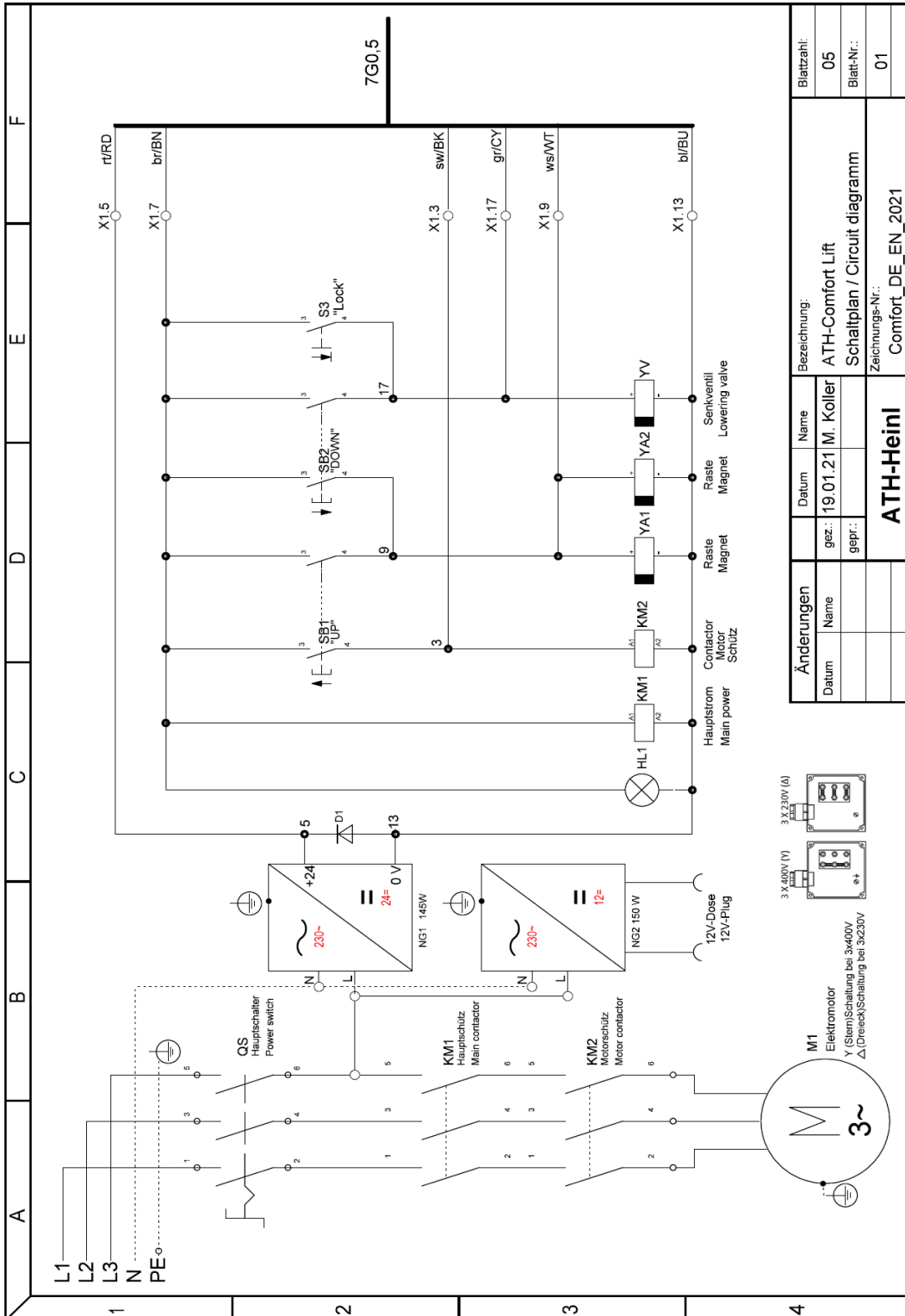
BY MODIFICATION AND / OR CHANGES TO THE MACHINE, THE CE EXAMINATION IS EXCLUDED WITHOUT LIMITATION AND A LIABILITY SHALL BE EXCLUDED.

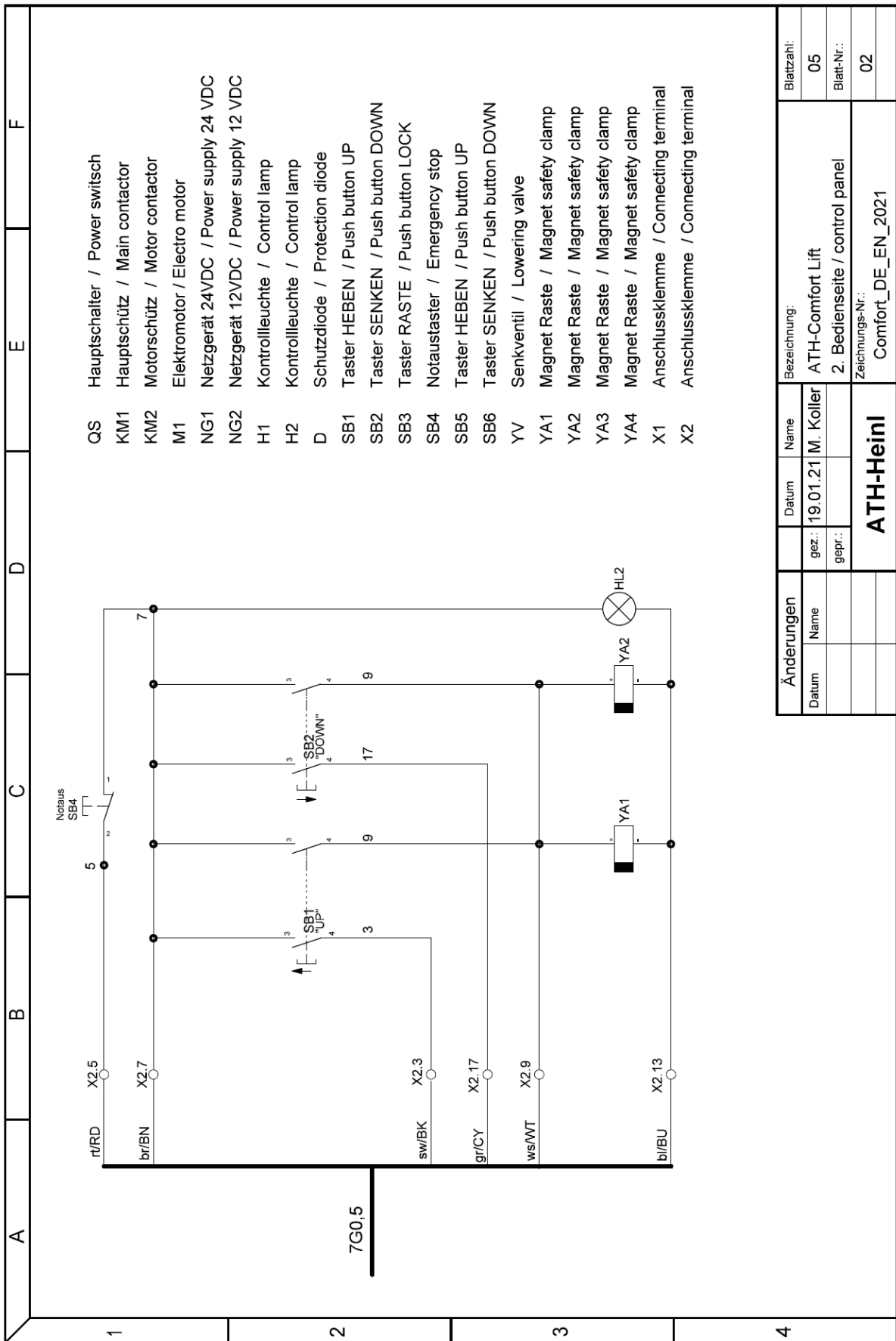
6 APPENDIX

6.1 Pneumatic circuit diagram

Not relevant!

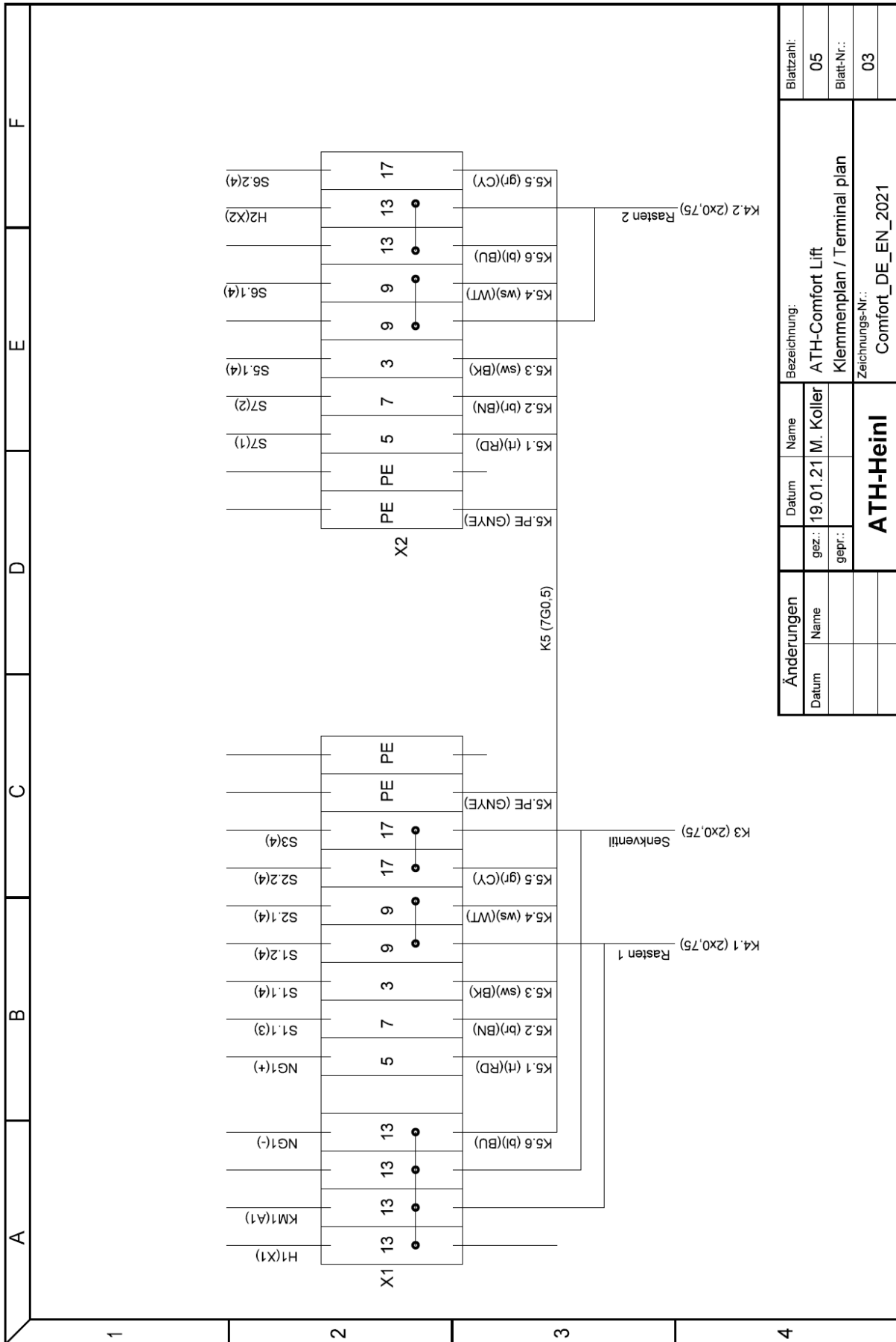
6.2 Electric circuit diagram



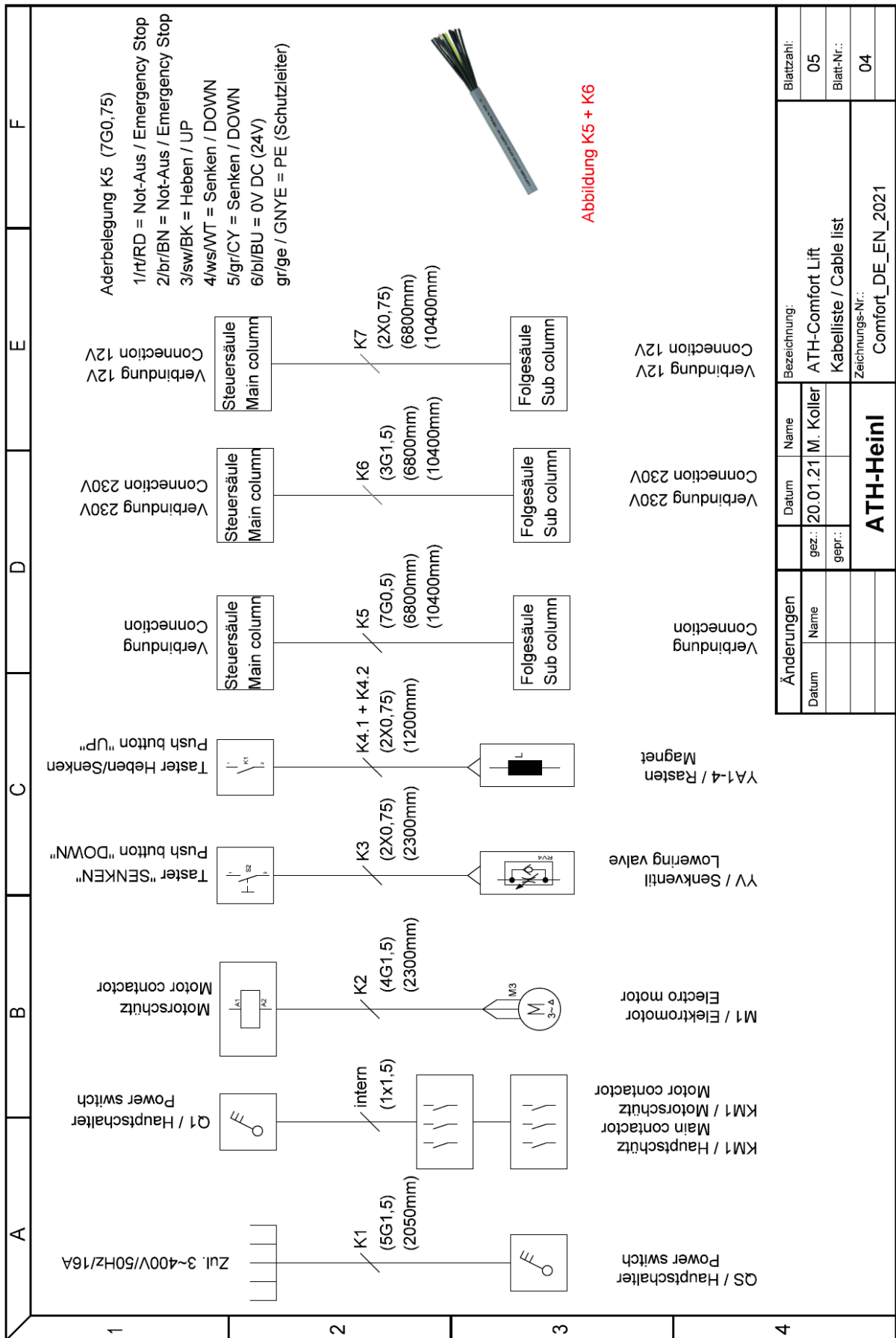


Änderungen		Datum	Name
gez.:	19.01.21	M. Koller	
gepr.:			
ATH-Heinl			

Bezeichnung:		Blattzahl:
ATH-Comfort Lift		05
2. Bedienseite / control panel		Blatt-Nr.:
Zeichnungs-Nr.:		02
Comfort_DE_EN_2021		

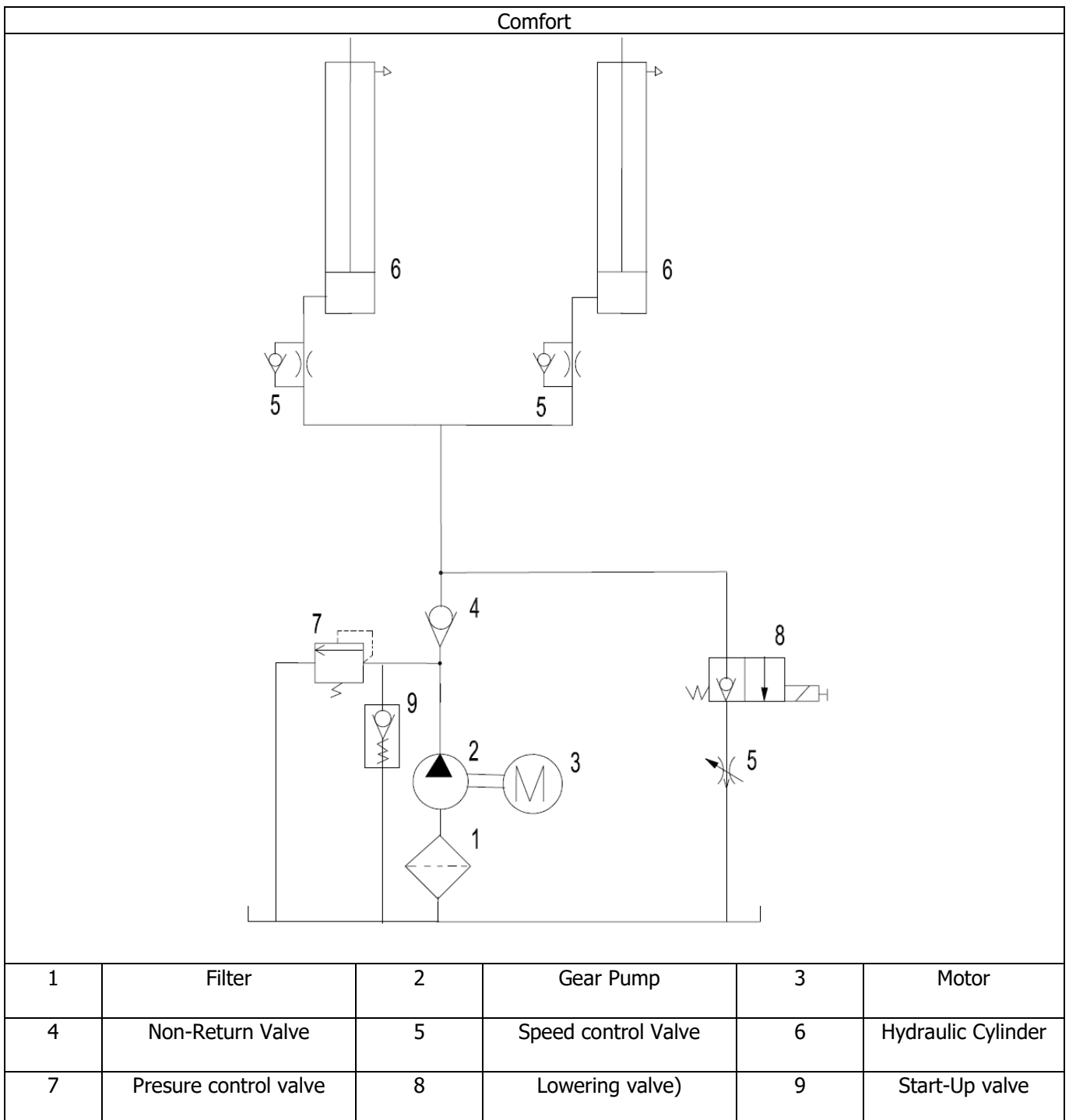


Änderungen		Datum	Name	Bezeichnung:		Blattzahl:
		19.01.21	M. Koller	ATH-Comfort Lift		05
		gez.:		Klemmenplan / Terminal plan		Blatt-Nr.:
		gepr.:		Comfort_DE_EN_2021		03
		ATH-Heinl		Zeichnungs-Nr.:		



Änderungen		Datum	Name	Bezeichnung:		Blattzahl:
				ATH-Comfort Lift		05
				Kabelleiste / Cable list		Blatt-Nr.:
						04
				ATH-Heinl		
				Zeichnungs-Nr.:		
				Comfort_DE_EN_2021		

6.3 Hydraulic circuit diagram



7. WARRANTY CARD

Dealer address:	Customer address:		
Company (or customer number):	Company (or customer number):		
Contact partner:	Contact partner:		
Street:	Street:		
Postcode & town:	Postcode & town:		
Tel. & Fax:	Tel. & Fax:		
Email:	Email:		
Manufacturer & model:	Serial number:	Year of construction:	Reference number:

Message description:

Description of required spare parts:		
Spare part:	Item number:	Amount:

IMPORTANT:

Damage resulting from improper handling, lack of maintenance or mechanical damage is not covered by the warranty. For systems that have not been installed by an ATH approved installer, the warranty is limited to the provision of the necessary spare parts.

Transport damages:

Visible defect (visible transport damage, note on freight forwarder delivery note, immediately send copy of the delivery note and photos to ATH-Heinl)

Hidden defect (transport damage is only detected when unpacking the goods, send damage report with pictures to ATH-Heinl within 24 hours)

Place & Date

Signature & Stamp

7.1 Scope of the Product Warranty

- Five years for the devices structure
- Power supplies, hydraulic cylinders and all other wear components such as turntables, rubber plates, ropes, chains, valves, switches, etc., are limited to one year under normal circumstances/use under warranty conditions.


The warranty does not extend to:

- Defects caused by normal wear and tear, misuse, transport damage, improper installation, tension or lack of required maintenance.
- Damage caused by neglect or failure to follow the instructions in this manual and/or other accompanying instructions.
- Normal wear and tear on parts requiring service to keep the product in safe working condition.
- Any component that has been damaged during transport.
- Other components that have not been explicitly listed but are considered to be general consumables.
- Water damage caused by e.g. rain, excessive humidity, corrosive environments or other contaminants.
- Blemishes that do not affect function.

**WARRANTY IS NOT VALID,
IF THE WARRANTY CARD WAS NOT SENT TO ATH-HEINL.**

Damage and malfunctions caused by non-compliance with maintenance and adjustment work (according to operating instructions and/or training), faulty electrical connections (rotating field, rated voltage, protection) or improper use (overload, outdoor installation, technical changes) are excluded from the warranty!

8. INSPECTION LOG

	<p>This inspection manual (including log) is an important part of the operating instructions and product.</p> <p>!!!PLEASE STORE CAREFULLY!!!</p>
---	---

Check

The product must be checked after completion of the installation, handover, if necessary, briefing and then regularly in accordance with the applicable regulations and legal provisions in the country of operation by a suitable and approved company or facility.

In the case of changes or extensions to the product type, an additional inspection book must be maintained and accepted.

Scope of Inspection




In addition to perfect function, cleanliness and maintenance requirements, it is vital that the safety-relevant components of the entire system are checked.

Technical Data

- Please refer to the enclosed operating instructions.

Nameplate

- Make a note of all the data below
- Manufacturer & type of mounting materials used:

 ATH-Heinl	
Typ Type	<input type="text"/>
Serien # Serial #	<input type="text"/>
Baujahr Year of built	<input type="text"/>
Volt	<input type="text"/>
Ph	<input type="text"/>
Hz	<input type="text"/>
Amp.	<input type="text"/>
kW	<input type="text"/>
 	<p>Designed by ATH-Heinl Germany Manufactured in China</p> <p>ATH-Heinl GmbH & Co. KG Gewerbepark 9 D 92278 Illschwang Germany</p>

8.1 Installation and Handover Log

Site:

Company:
Street:
Town:
Country:

Device / system:

Manufacturer:
Type / model:
Serial no.:
Year of
construction:

Responsible retailer:

The above product has been assembled, checked for function and safety and put into operation. Installation was carried out by:

the operator

the technical expert

The operator confirms that the product type has been set up correctly, that he/she has read and understood all information contained in these operating instructions and the log, and that he/she keeps this documentation accessible to the instructed operator at all times.

The operator confirms that after installation and commissioning by a person trained by the manufacturer or an authorised dealer (expert), instruction in the function, handling, safety-relevant specifications, maintenance and care of the machine has taken place, documents, information and specifications of the machine have been provided and the product is working properly.

IMPORTANT NOTES:

IF THE ABOVEMENTIONED POINTS ARE NOT FULFILLED, THE WARRANTY CLAIM IS EXCLUDED:

The warranty is only valid in conjunction with compliance and evidence of proper assembly, handover, and if necessary training, as well as yearly maintenance carried out by an expert authorised by the manufacturer. The interval between services must not exceed 12 months. In case of non-standard use or multi-shift or seasonal use, a bi-annual inspection and maintenance must be arranged.

Warranty claims are only recognised if all points in the log and operating instructions have been met, the claim is asserted immediately after detection and **this log is sent to the manufacturer along with the maintenance and service logs.**

Further specific information about the warranty, such as scope, requirements and specifications, are described in the operating instructions and must be observed.

Damages and complaints caused by improper handling; failure to maintain and service; use of unsuitable or unspecified assembly, operating, maintenance or service products; mechanical damage; intervening in the unit without consultation or by an unauthorised expert are excluded from the warranty. For systems that have not been installed by an authorised expert, the warranty is limited by agreement of the manufacturer to the provision of the necessary spare parts.

Expert name and company stamp
if necessary, number and name of retailer

Date and expert signature

Operator name and company stamp

Date and operator signature

8.2 Inspection Plan

Inspection	1	2	3	4	5	6
Date of Inspection						
Nameplate						
Quick reference guide						
Operating instructions						
Safety label						
Operation label						
Other labels						
Construction (deformation, cracks)						
Fixing dowels and stability						
Condition of concrete floor (cracks)						
Condition / general condition						
Condition / cleanliness						
Condition / care and sealing						
Condition / liquids						
Condition / lubrication						
Condition / aggregate						
Condition / drive						
Condition / motor						
Condition / transmission						
Condition / cylinder						
Condition / valve						
Condition / electrical control						
Condition / electric buttons						
Condition / electric switches						
Condition / electric lines						
Condition / hydraulic lines						
Condition / hydraulic screws						
Condition / pneumatic lines						
Condition / pneumatic screws						
Condition / tightness						
Condition / bolts and bearings						
Condition / consumables						
Condition / covers						
Condition / functions under load						
Condition / safety-relevant components						
Condition / electrical safety device						
Condition / hydraulic safety device						
Condition / pneumatic safety device						
Condition / mechanical safety device						
Condition / functions under load						
Inspection sticker issued						

8.3 Visual inspection (authorised expert)

Inspection Certificate 1
relating to a regular / extraordinary inspection / audit *)

The device has undergone a readiness test.
No / the following *) defects were found:

Inspection contents: functional and visual inspection according to specifications
Pending partial inspection:

There were no *) concerns arising from commissioning, an audit is not *) required.

(Place, date)

(Technical expert signature)

Confirmation of acceptance:

(Name of technical expert)

(Title)

(Address)

(Employed at)

Operator (company stamp, date, signature)

Faults noted **) _____

Faults remedied **) _____

*) Delete if not applicable
**) Confirmation of operator or a representative with date and signature

Visual inspection (authorised expert)

Inspection Certificate 2

relating to a regular / extraordinary inspection / audit *)

The device has undergone a readiness test.
No / the following *) defects were found:

Inspection contents: functional and visual inspection according to specifications
Pending partial inspection:

There were no *) concerns arising from commissioning, an audit is not *) required.

(Place, date)

(Technical expert signature)

Confirmation of acceptance:

(Name of technical expert)

(Title)

(Address)

(Employed at)

Operator (company stamp, date, signature)

Faults noted **) _____

Faults remedied **) _____

*) Delete if not applicable
**) Confirmation of operator or a representative with date and signature

Visual inspection (authorised expert)

Inspection Certificate 3 relating to a regular / extraordinary inspection / audit *)

The device has undergone a readiness test.
No / the following *) defects were found:

Inspection contents: functional and visual inspection according to specifications
Pending partial inspection:

There were no *) concerns arising from commissioning, an audit is not *) required.

(Place, date)

(Technical expert signature)

Confirmation of acceptance:

(Name of technical expert)

(Title)

(Address)

(Employed at)

Operator (company stamp, date, signature)

Faults noted **) _____

Faults remedied **) _____

*) Delete if not applicable
**) Confirmation of operator or a representative with date and signature

Visual inspection (authorised expert)

Inspection Certificate 4

relating to a regular / extraordinary inspection / audit *)

The device has undergone a readiness test.
No / the following *) defects were found:

Inspection contents: functional and visual inspection according to specifications
Pending partial inspection:

There were no *) concerns arising from commissioning, an audit is not *) required.

(Place, date)

(Technical expert signature)

Confirmation of acceptance:

(Name of technical expert)

(Title)

(Address)

(Employed at)

Operator (company stamp, date, signature)

Faults noted **) _____

Faults remedied **) _____

*) Delete if not applicable
**) Confirmation of operator or a representative with date and signature

Visual inspection (authorised expert)

Visual inspection (authorised expert)

Inspection Certificate 5

relating to a regular / extraordinary inspection / audit *)

The device has undergone a readiness test.
No / the following *) defects were found:

Inspection contents: functional and visual inspection according to specifications
Pending partial inspection:

There were no *) concerns arising from commissioning, an audit is not *) required.

(Place, date)

(Technical expert signature)

Confirmation of acceptance:

(Name of technical expert)

(Title)

(Address)

(Employed at)

Operator (company stamp, date, signature)

Faults noted **) _____

Faults remedied **) _____

*) Delete if not applicable
**) Confirmation of operator or a representative with date and signature

Visual inspection (authorised expert)

Inspection Certificate 6

relating to a regular / extraordinary inspection / audit *)

The device has undergone a readiness test.
No / the following *) defects were found:

Inspection contents: functional and visual inspection according to specifications
Pending partial inspection:

There were no *) concerns arising from commissioning, an audit is not *) required.

(Place, date)

(Technical expert signature)

Confirmation of acceptance:

(Name of technical expert)

(Title)

(Address)

(Employed at)

Operator (company stamp, date, signature)

Faults noted **) _____

Faults remedied **) _____

*) Delete if not applicable
**) Confirmation of operator or a representative with date and signature



www.ath-heinl.de

ATH-Heinl GmbH & Co. KG

Gewerbepark 9
D-92278 Illschwang
Germany

Tel.: +49 (0)9666 18801 00

Fax: +49 (0)9666 18801 01

info@ath-heinl.de

www.ath-heinl.de

